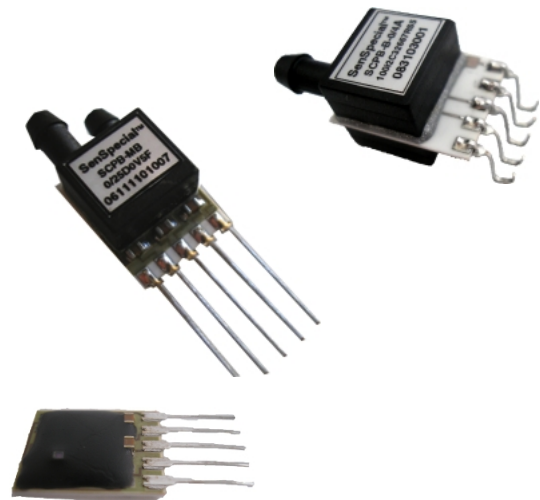
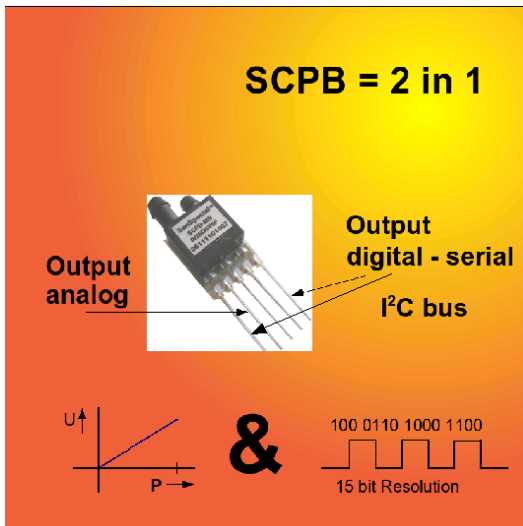


## SCPB-Series

OEM Pressure Sensor  
Amplified analog Output  
15bit digital serial Output  
via **I<sup>2</sup>C-bus (TWI)** Interface  
or **SPI - Interface**



### Features

- Amplified Output 0...3V / 0...3.3V/ 0...4V/ 0...5V
- Temperature Compensated -40...125 C
- Zero and Span Calibrated
- Internal referenced or ratiometric output
- Wide Supply Voltage range 2.7 to 40V
- Differential, Gage and Absolute Pressure Types
- Barometric Pressure available f.i. 700-1100mb
- Small Outline, easy to assemble, SMD available
- **Analog Output, I<sup>2</sup>C-bus + Analog or I<sup>2</sup>C-bus + Alarm or only SPI-Interface selectable**

### Description

The SCPB...-Series of ready-made signal conditioned pressure sensors use state of the art silicon micro machined pressure sensor technology in conjunction with stress free packaging techniques to provide cost effective temperature compensated pressure sensors. A highly reliable 600nm ASIC semiconductor technology provides best EMI and reverse polarity protection for the sensor's integrated precision 16bit signal conditioning circuitry.

The general design is for use with non corrosive, non ionic pressure media. Several gases especially in medical applications can be released on request. For some aggressive media like steam in autoclaves or water in heating systems a special protected type of SCPB is available.

The SCPB-sensor F-Type provides an internal voltage referenced output of 0..4V, 0..3V (0..10V on request) or individual calibrated Voltage . The F-Type works within a wide supply voltage range of 2.7V (depending on the output voltage range) to 40V, SCPB-R-Types are designed for low supply voltages of 2.7 to 5.5V and deliver a ratiometric to supply voltage output signal. The standard range is 0 to 5V for R5-Types or 0 to 3V for R3-Types with „Life Zero“ and a secure level below 5V respectively 3V.

On all types an individual calibration – even for 1 piece - within 0..3V, 0..5V and 0..10V as well is almost obligatory. Also the digital 15bit output Types „I<sup>2</sup>C-bus“ or „SPI-Interface“ are getting individually calibrated between 100 and 32667 counts for any wanted pressure range – f.i. -50 to +350mb.

## SCPB-Series

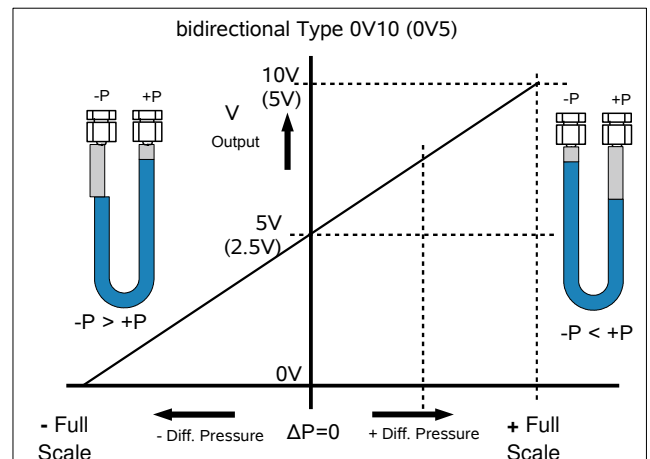
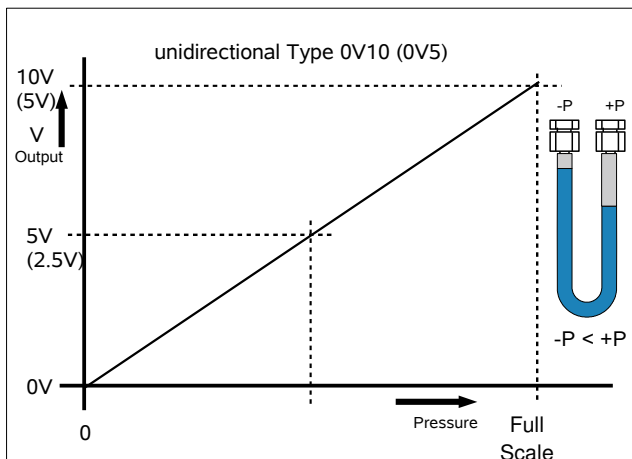
OEM Pressure Sensor  
Amplified analog Output  
15bit digital serial Output  
via **I<sup>2</sup>C-bus (TWI)** Interface  
or **SPI - Interface**

### Functiones & Specials

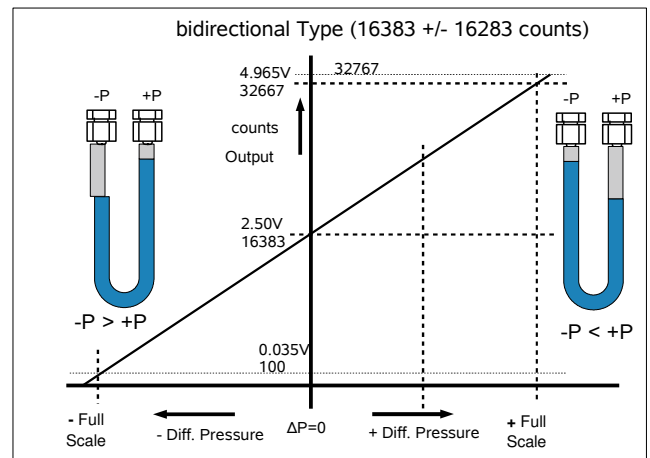
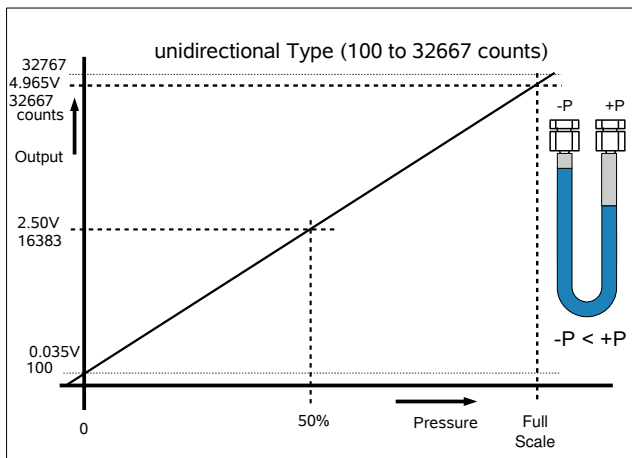
- Voltage output
- fast response 0,56ms to 20ms factory settable
- 15 bit resolution digital output
- linearised both types unidirectional and bidirectional
- **All necessary Filter components on board**
- Differential, Gage and Absolute Pressure Types
- Barometric Pressure available f.i. 700-1100mb
- **User programmable additional I<sup>2</sup>C bus address**



### Analog Voltage Output



### Digital serial I<sup>2</sup>C -bus Output



## SCPB-R5-Series

OEM Pressure Sensor  
 Amplified **analog Output 0..5V**  
 Output **ratiometric** to supply  
 5V **+5%** supply

### Maximum Values

Supply Voltage : 6.5V DC  
 Ambient Temperature: -40°C bis +125°C  
 Storage Temperature: -40°C bis +150°C  
 EMI-Protection: +-2000V  
 Latch up free: +-100mA or +8V/-4V to GND

### Characteristics SCPB-R5 Series (All values are referred to 5.0V Supply and 25 deg C if not otherwise specified)

PARAMETER	MINIMUM	NOMINAL	MAXIMUM	UNIT
Supply Voltage	4.5	5.0	5.5	V
Supply Current	7.0	7.6	8.0	mA
Operating Temperature	-40	25.0	125.0	deg C
Compensated Temperature (guaranteed accuracy)	-40	25.0	125.0	deg C
Temp. caused Offset Error (0 to 70 deg C)	0.0	±0.15	±0.3	% FSO
Temp. caused Offset Error (-25 to 0 and 70 to 100 deg C)	0.0	±0.15	±0.5	% FSO
Temp. caused Offset Error (-40 to -25 and 100 to 125 deg C)	0.0	±0.15	±1.0	% FSO
Temp. caused Span Error (0 to 70 deg C)	0.0	±0.15	±0.3	% FSO
Temp. caused Span Error (-25 to 0 and 85 to 100 deg C)	0.0	±0.15	±0.5	% FSO
Temp. caused Span Error (-40 to -25 and 100 to 125 deg C)	0.0	±0.15	±1.0	% FSO
Linearity Error (best straight line fit)	0.0	±0.05	±0.15	% FSO
Hysteresis Error (Nominal Pressure Cycle)	0.0	±0.05	±0.15	% FSO
Hysteresis Error Offset (Operating Temperature Cycle)	0.0	±0.05	±0.30	% FSO
Combined total Error (-25 to 85 deg C)		±0.5		% FSO
Combined total Error (-40 to -25 and 85 to 125 deg C)		±1.5		% FSO
Long Term Stability (only standard types nominal Pressure > 500Pa)		±0.05	±0.1	% FSO/a
Nominal Pressure	0...+-100Pa		0...25bar	
Offset Calibration analog (if precision analog output is requested)	0.050	0.075	0.100	V
Full Scale Output Calibration analog (if precision analog output is requested)	4.965	4.990	5.015	V
Offset & Full Scale Output calibration accuracy	-0.25	0	0.25	% FSO
Overpressure (no irreversible change of parameters)	0.05	see individual data sheets	35	bar
Burst Pressure	0.5	see individual data sheets	35	bar
Response Time (default setting: min value; slower values on request)	0.6	-	20.0	ms
Power on recovery time (to the first shifted output)	-	2.4	8.0	ms
Analog output load resistance	2.0		indefinit	kOhm
Analog output short circuit current	5.0	10.0	20.0	mA
Analog output load capacitance (10nF internally clamped)	-	0	10.0	nF
Analog output slew rate	100	-	-	V/ms
Ambient Humidity guaranteed operation (not operating)			95 (100)	%r.H.
MTBF (In normal operating conditions)		1.0 x 10 <sup>9</sup>	1.0 x 10 <sup>8</sup>	Part-hours

## SCPB-InWc-0/1D0V5R5

OEM Differential Pressure Sensor  
Amplified Output 0..5V  
Supply Voltage 5V +/-10%  
Pressure Range 0..1 InchWc

### Maximum Values

Supply Voltage : 6.5V DC  
Ambient Temperature: -40°C bis +125°C  
Storage Temperature: -40°C bis +150°C

Characteristics SCPB-InWc-0/1D0V5R5Par (All values are referred to 5V Supply and 25 deg C if not otherwise specified)				
PARAMETER	MINIMUM	NOMINAL	MAXIMUM	UNIT
Supply Voltage	4.5	5.0	5.5	V
Supply Current	7.0	7.6	8.0	mA
Operating Temperature	-40	25.0	125.0	deg C
Compensated Temperature (guaranteed accuracy)	-40	25.0	125.0	deg C
Temp. caused Offset Error (0 to 70 deg C)	0.0	±0.15	±0.3	% FSSpan
Temp. caused Offset Error (-25 to 0 and 70 to 100 deg C)	0.0	±0.15	±0.5	% FSSpan
Temp. caused Offset Error (-40 to -25 and 100 to 125 deg C)	0.0	±0.15	±1.0	% FSSpan
Temp. caused Span Error (-25 to 85 deg C)	0.0	±0.15	±0.3	% FSSpan
Temp. caused Span Error (-25 to 0 and 70 to 100 deg C)	0.0	±0.15	±0.5	% FSSpan
Temp. caused Span Error (-40 to -25 and 100 to 125 deg C)	0.0	±0.15	±1.0	% FSSpan
Linearity Error (best straight line fit)	0.0	±0.05	±0.15	% FSSpan
Hysteresis Error (Nominal Pressure Cycle)	0.0	±0.05	±0.15	% FSSpan
Hysteresis Error Offset (Operating Temperature Cycle)	0.0	±0.05	±0.30	% FSSpan
Combined total Error (-25 to 85 deg C)		±0.5		% FSSpan
Combined total Error (-40 to -25 and 100 to 125 deg C)		±1.5		% FSSpan
Long Term Stability		±0.1		% FSSpan/a
Nominal Pressure	0		1	InchWc/m
Offset Calibration	0.050	0.075	0.100	V
Full Scale Output Calibration	4.900	4.925	4.950	V
Proof pressure no irreversible change of parameters			30	InchWc/m
Burst Pressure			400.0	InchWc/m
Response Time (Filter settings on request)		0.6	1.0	ms
Power on recovery time (to the first shifted output)		2.4	8.0	ms
Ambient Humidity guaranteed operation (not operating)			95 (100)	%r.H.
MTBF (In operating conditions)		1.0 x 10 <sup>9</sup>	1.0 x 10 <sup>8</sup>	Part-hours

## SCPB-R3.3-Series

OEM Pressure Sensor  
 Amplified **analog Output 0..3.3V**  
 Output **ratiometric** to supply  
 3.3V **+5%** supply

### Maximum Values

Supply Voltage : 6.5V DC  
 Ambient Temperature: -40°C bis +125°C  
 Storage Temperature: -40°C bis +150°C  
 EMI-Protection: +-2000V  
 Latch up free: +-100mA or +8V/-4V to GND

**Characteristics SCPB-R3.3 Series** (All values are referred to 3.3V Supply and 25 deg C if not otherwise specified)

PARAMETER	MINIMUM	NOMINAL	MAXIMUM	UNIT
Supply Voltage	2.7	3.3	5.5	V
Supply Current	4.3	4.7	4.9	mA
Internal Voltage Reference ( for non ratiometric types F3 only)	3.260	3.300	3.320	V
Operating Temperature	-40	25.0	125.0	deg C
Compensated Temperature (guaranteed accuracy)	-40	25.0	125.0	deg C
Temp. caused Offset Error (0 to 70 deg C)	0.0	±0.25	±0.5	% FSO
Temp. caused Offset Error (-25 to 0 and 70 to 100 deg C)	0.0	±0.35	±0.7	% FSO
Temp. caused Offset Error (-40 to -25 and 100 to 125 deg C)	0.0	±0.75	±1.5	% FSO
Temp. caused Span Error (0 to 70 deg C)	0.0	±0.25	±0.5	% FSO
Temp. caused Span Error (-25 to 0 and 85 to 100 deg C)	0.0	±0.35	±0.7	% FSO
Temp. caused Span Error (-40 to -25 and 100 to 125 deg C)	0.0	±0.75	±1.5	% FSO
Linearity Error (best strait line fit)	0.0	±0.05	±0.15	% FSO
Hysteresis Error (Nominal Pressure Cycle)	0.0	±0.05	±0.15	% FSO
Hysteresis Error Offset (Operating Temperature Cycle)	0.0	±0.05	±0.30	% FSO
Combined total Error (-25 to 85 deg C)		±0.75		% FSO
Combined total Error (-40 to -25 and 85 to 125 deg C)		±2.5		% FSO
Long Term Stability (only standard types with nominal pressure >500Pa)		±0.1		% FSO/a
Nominal Pressure	0...+-100Pa	see individual data sheets	0...25bar	
Offset Calibration analog (if precision analog output is requested)	0.000	0.030	0.060	V
Full Scale Output Calibration analog (if precision analog output is requested)	3.260	3.290	3.320	V
Offset Calibration digital	18	100	182	counts
Full Scale Output Calibration digital	32585	32667	32749	counts
Offset & Full Scale Output calibration accuracy	-0.25	0	0.25	% FSO
Overpressure (no irreversible change of parameters)	0.050	see individual data sheets	35	bar
Burst Pressure	0.5	see individual data sheets	35	bar
Response Time (default setting: min value; slower values on request)	0,6	-	20.0	ms
Power on recovery time (to the first shifted output)	-	2.4	8.0	ms
Analog output load resistance	2.0		indefinit	kOhm
Analog output short circuit current	5.0	10.0	20.0	mA
Analog output load capacitance (10nF internally clamped)	-	0	10.0	nF
Analog output slew rate	100	-	-	V/ms
Ambient Humidity guaranteed operation (not operating)			95 (100)	%r.H.
MTBF (In operating conditions)	-	1.0 x 10 <sup>9</sup>	1.0 x 10 <sup>8</sup>	Part-hours

## SCPB-R3-Series

OEM Pressure Sensor  
 Amplified **analog Output 0..3V**  
 Output **ratiometric** to supply  
 3V **+5%** Supply

### Maximum Values

Supply Voltage : 6.5V DC  
 Ambient Temperature: -40°C bis +125°C  
 Storage Temperature: -40°C bis +150°C  
 EMI-Protection: +-2000V  
 Latch up free: +-100mA or +8V/-4V to GND

<b>Characteristics SCPB-R3 Series</b> (All values are referred to 3.0V Supply and 25 deg C if not otherwise specified)				
PARAMETER	MINIMUM	NOMINAL	MAXIMUM	UNIT
Supply Voltage	2.7	3.0	5.5	V
Supply Current	4.0	4.3	4.5	mA
Internal Voltage Reference ( for non ratiometric types F3 only)	2.960	3.000	3.020	V
Operating Temperature	-40	25.0	125.0	deg C
Compensated Temperature (guaranteed accuracy)	-40	25.0	125.0	deg C
Temp. caused Offset Error (0 to 70 deg C)	0.0	±0.25	±0.5	% FSO
Temp. caused Offset Error (-25 to 0 and 70 to 100 deg C)	0.0	±0.35	±0.7	% FSO
Temp. caused Offset Error (-40 to -25 and 100 to 125 deg C)	0.0	±0.75	±1.5	% FSO
Temp. caused Span Error (0 to 70 deg C)	0.0	±0.25	±0.5	% FSO
Temp. caused Span Error (-25 to 0 and 85 to 100 deg C)	0.0	±0.35	±0.7	% FSO
Temp. caused Span Error (-40 to -25 and 100 to 125 deg C)	0.0	±0.75	±1.5	% FSO
Linearity Error (best straight line fit)	0.0	±0.05	±0.15	% FSO
Hysteresis Error (Nominal Pressure Cycle)	0.0	±0.05	±0.15	% FSO
Hysteresis Error Offset (Operating Temperature Cycle)	0.0	±0.05	±0.30	% FSO
Combined total Error (-25 to 85 deg C)		±0.75		% FSO
Combined total Error (-40 to -25 and 85 to 125 deg C)		±2.5		% FSO
Long Term Stability (only standard types with nominal pressure >250Pa)		±0.1		% FSO/a
Nominal Pressure	0...+-100Pa	see individual data sheets	0...25bar	
Offset Calibration analog (if precision analog output is requested)	0.000	0.030	0.060	V
Full Scale Output Calibration analog (if precision analog output is requested)	2.960	2.990	3.020	V
Offset & Full Scale Output calibration accuracy	-0.25	0	0.25	% FSO
Overpressure (no irreversible change of parameters)	0.050	see individual data sheets	35	bar
Burst Pressure	0.5	see individual data sheets	35	bar
Response Time (default setting: min value; slower values on request)	0.56	-	20.0	ms
Power on recovery time (to the first shifted output)		2.4	8.0	ms
Analog output load resistance	2.0		indefinit	kOhm
Analog output short circuit current	5.0	10.0	20.0	mA
Analog output load capacitance (10nF internally clamped)	-	0	10.0	nF
Analog output slew rate	100	-	-	V/ms
Ambient Humidity guaranteed operation (not operating)			95 (100)	%r.H.
MTBF (In operating conditions)		1.0 x 10 <sup>9</sup>	1.0 x 10 <sup>8</sup>	Part-hours

## SCPB-F5-Series (2in1)

OEM Pressure Sensor  
 Amplified **analog Output 0..4V**  
**I<sup>2</sup>C-bus** Digital Output 15bit  
 4.5-40V DC Supply,  
**Fixed** internal Voltage-Reference

### Maximum Values

Supply Voltage : 40V DC  
 Ambient Temperature: -40°C bis +125°C  
 Storage Temperature: -40°C bis +150°C  
 EMI-Protection: +-2000V  
 Latch up free: +-100mA or +8V/-4V to GND

### Characteristics SCPB-F5 Series (All values are referred to 5V Supply and 25 deg C if not otherwise specified)

PARAMETER	MINIMUM	NOMINAL	MAXIMUM	UNIT
Supply Voltage	4.5	5.0	40.0	V
Supply Current (with >1MΩ output load resistance)	4.2	4.3	5.0	mA
Internal Reference Voltage	3.950	4.000	4.030	V
Operating Temperature	-40	25.0	125.0	deg C
Compensated Temperature (guaranteed accuracy)	-40	25.0	125.0	deg C
Temp. caused Offset Error (0 to 70 deg C)	0.0	±0.15	±0.3	% FSO
Temp. caused Offset Error (-25 to 0 and 70 to 100 deg C)	0.0	±0.15	±0.5	% FSO
Temp. caused Offset Error (-40 to -25 and 100 to 125 deg C)	0.0	±0.15	±1.0	% FSO
Temp. caused Span Error (0 to 70 deg C)	0.0	±0.15	±0.3	% FSO
Temp. caused Span Error (-25 to 0 and 85 to 100 deg C)	0.0	±0.15	±0.5	% FSO
Temp. caused Span Error (-40 to -25 and 100 to 125 deg C)	0.0	±0.15	±1.0	% FSO
Linearity Error (best straight line fit)	0.0	±0.05	±0.15	% FSO
Hysteresis Error (Nominal Pressure Cycle)	0.0	±0.05	±0.15	% FSO
Hysteresis Error Offset (Operating Temperature Cycle)	0.0	±0.05	±0.30	% FSO
Combined total Error (-25 to 85 deg C)		±0.5		% FSO
Combined total Error (-40 to -25 and 85 to 125 deg C)		±1.5		% FSO
Long Term Stability (only standard types with nominal pressure >500Pa)			±0.1	% FSO/a
Nominal Pressure	0...+100Pa	see individual data sheets	0...25bar	
Offset Calibration analog	0.040	0.075	0.110	V
Full Scale Output Calibration analog	3.950	3.990	4.030	V
Offset Calibration digital	18	100	182	counts
Full Scale Output Calibration digital	32585	32667	32749	counts
Offset & Full Scale Output calibration accuracy	-0.25	0	0.25	% FSO
Overpressure (no irreversible change of parameters)	0.05	see individual data sheets	35	bar
Burst Pressure	0.5	see individual data sheets	35	bar
Response Time (default setting; min value; slower values on request)	0,6	-	20.0	ms
Power on recovery time (to the first shifted output)		2.4	8.0	ms
Analog output load resistance	2.0		indefinit	kΩ
Analog output short circuit current	5.0	10.0	20.0	mA
Analog output load capacitance (10nF internally clamped)	-	0	10.0	nF
Analog output slew rate	100	-	-	V/ms
Ambient Humidity guaranteed operation (not operating)			95 (100)	%r.H.
MTBF (In operating conditions)		1.0 x 10 <sup>9</sup>	1.0 x 10 <sup>8</sup>	Part-hours

## SCPB-InWc-0/1D-i2C-F5

Diff. Pressure Sensor 0..1InchWc

Amplified **analog Output 0..4V**

**I<sup>2</sup>C-bus** Digital Output 15bit

4.5-40V DC Supply,

**Fixed** internal Voltage-Reference

### Maximum Values

Supply Voltage	:	40V DC
Ambient Temperature:		-40°C bis +125°C
Storage Temperature:		-40°C bis +150°C
EMI-Protection:		+/-2000V
Latch up free:		+/-100mA or +8V/-4V to GND

<b>Characteristics SCPB-InWc-0/1D-i2C-F5</b> (All values are referred to 5V Supply and 25 deg C if not otherwise specified)				
PARAMETER	MINIMUM	NOMINAL	MAXIMUM	UNIT
Supply Voltage	4.5	5.0	40.0	V
Supply Currant	4.2	4.3	5.0	mA
Operating Temperature	-40	25.0	125.0	deg C
Compensated Temperature (guaranteed accuracy)	-40	25.0	125.0	deg C
Temp. caused Offset Error (0 to 70 deg C)	0.0	±0.15	±0.3	% FSSpan
Temp. caused Offset Error (-25 to 0 and 70 to 100 deg C)	0.0	±0.15	±0.5	% FSSpan
Temp. caused Offset Error (-40 to -25 and 100 to 125 deg C)	0.0	±0.15	±1.0	% FSSpan
Temp. caused Span Error (-25 to 85 deg C)	0.0	±0.15	±0.3	% FSSpan
Temp. caused Span Error (-25 to 0 and 70 to 100 deg C)	0.0	±0.15	±0.5	% FSSpan
Temp. caused Span Error (-40 to -25 and 100 to 125 deg C)	0.0	±0.15	±1.0	% FSSpan
Linearity Error (best strait line fit)	0.0	±0.05	±0.15	% FSSpan
Hysteresis Error (Nominal Pressure Cycle)	0.0	±0.05	±0.15	% FSSpan
Hysteresis Error Offset (Operating Temperature Cycle)	0.0	±0.05	±0.30	% FSSpan
Combined total Error (-25 to 85 deg C)		±0.5		% FSSpan
Combined total Error (-40 to -25 and 100 to 125 deg C)		±1.5		% FSSpan
Long Term Stability		±0.1		% FSSpan/a
Nominal Pressure	0		1	InchWclm
Offset Calibration	0.014	0.030	0.045	V
Full Scale Output Calibration	3.980	4.000	4.020	V
Proof pressure no irreversible change of parameters			30	InchWclm
Burst Pressure			400.0	InchWclm
Response Time (Filter settings on request)		0.560	0.6	ms
Power on recovery time (to the first shifted output)		2.4	8.0	ms
Ambient Humidity guaranteed operation (not operating)			95 (100)	%r.H.
MTBF (In operating conditions)		1.0 x 10 <sup>9</sup>	1.0 x 10 <sup>8</sup>	Part-hours

## Maximum Values

Supply Voltage : 40V DC  
 Ambient Temperature: -40°C bis +125°C  
 Storage Temperature: -40°C bis +150°C  
 EMI-Protection: +-2000V  
 Latch up free: +-100mA or +8V/-4V to GND

## SPI Communication Settings

Clock Phase CPHA: Trailing Edge (changeable)  
 Clock Polarity CPOL: Active Low (changeable)  
 Chip Disable: Power down the sensor by  $\mu$ C-Port (low current, short recovery)

### Characteristics SCPB-F5 Series (All values are referred to 5V Supply and 25 deg C if not otherwise specified)

PARAMETER	MINIMUM	NOMINAL	MAXIMUM	UNIT
Supply Voltage	4.5	5.0	40.0	V
Supply Current (with >1M $\Omega$ output load resistance)	4.2	4.3	5.0	mA
Internal Reference Voltage	#NAME?	4.000	#NAME?	V
Operating Temperature	-40	25.0	125.0	deg C
Compensated Temperature (guaranteed accuracy)	-40	25.0	125.0	deg C
Temp. caused Offset Error (0 to 70 deg C)	0.0	$\pm 0.15$	$\pm 0.3$	% FSO
Temp. caused Offset Error (-25 to 0 and 70 to 100 deg C)	0.0	$\pm 0.15$	$\pm 0.5$	% FSO
Temp. caused Offset Error (-40 to -25 and 100 to 125 deg C)	0.0	$\pm 0.15$	$\pm 1.0$	% FSO
Temp. caused Span Error (0 to 70 deg C)	0.0	$\pm 0.15$	$\pm 0.3$	% FSO
Temp. caused Span Error (-25 to 0 and 85 to 100 deg C)	0.0	$\pm 0.15$	$\pm 0.5$	% FSO
Temp. caused Span Error (-40 to -25 and 100 to 125 deg C)	0.0	$\pm 0.15$	$\pm 1.0$	% FSO
Linearity Error (best straight line fit)	0.0	$\pm 0.05$	$\pm 0.15$	% FSO
Hysteresis Error (Nominal Pressure Cycle)	0.0	$\pm 0.05$	$\pm 0.15$	% FSO
Hysteresis Error Offset (Operating Temperature Cycle)	0.0	$\pm 0.05$	$\pm 0.30$	% FSO
Combined total Error (-25 to 85 deg C)		$\pm 0.5$		% FSO
Combined total Error (-40 to -25 and 85 to 125 deg C)		$\pm 1.5$		% FSO
Long Term Stability (only standard types with nominal pressure >500Pa)			$\pm 0.1$	% FSO/a
Nominal Pressure	0...+-100Pa	see individual data sheets	0...25bar	
Offset Calibration digital	18	100	182	counts
Full Scale Output Calibration digital	32585	32667	32749	counts
Offset & Full Scale Output calibration accuracy	-0.25	0	0.25	% FSO
Overpressure (no irreversible change of parameters)	0.05	see individual data sheets	35	bar
Burst Pressure	0.5	see individual data sheets	35	bar
Response Time (default setting: min value; slower values on request)	0,6	-	20.0	ms
Power on recovery time (to the first shifted output)	2,0	-	5.0	ms
Digital Input High Level	3,5	-	5	V
Digital Input Low Level	0,0	-	1,5	V
Digital Output Low Level	-	-	0,5	V
Digital Load Capacity on Data Out (MISO)	-	-	400	pF
Digital Clock Puls Length	2,5	-	-	$\mu$ s
Ambient Humidity guaranteed operation (not operating)			95 (100)	%r.H.
MTBF (In operating conditions)		$1.0 \times 10^9$	$1.0 \times 10^8$	Part-hours

## Maximum Values

Supply Voltage : 40V DC  
 Ambient Temperature: -40°C bis +125°C  
 Storage Temperature: -40°C bis +150°C  
 EMI-Protection: +-2000V  
 Latch up free: +-100mA or +8V/-4V to GND

## SPI Communication Settings

Clock Phase CPHA: Trailing Edge (changeable)  
 Clock Polarity CPOL: Active Low (changeable)  
 Chip Disable: Power down the sensor by  $\mu$ C-Port (low current, short recovery)

## Characteristics SCPB-F3.3 Series (All values are referred to 3.3V Supply and 25 deg C if not otherwise specified)

PARAMETER	MINIMUM	NOMINAL	MAXIMUM	UNIT
Supply Voltage	3.2	3.3	40.0	V
Supply Current (with >1M $\Omega$ output load resistance)	3.7	3.95	4.0	mA
Internal Reference Voltage	2.950	3.000	3.050	V
Operating Temperature	-40	25.0	125.0	deg C
Compensated Temperature (guaranteed accuracy)	-40	25.0	125.0	deg C
Temp. caused Offset Error (0 to 70 deg C)	0.0	$\pm 0.15$	$\pm 0.3$	% FSO
Temp. caused Offset Error (-25 to 0 and 70 to 100 deg C)	0.0	$\pm 0.15$	$\pm 0.5$	% FSO
Temp. caused Offset Error (-40 to -25 and 100 to 125 deg C)	0.0	$\pm 0.15$	$\pm 1.0$	% FSO
Temp. caused Span Error (0 to 70 deg C)	0.0	$\pm 0.15$	$\pm 0.3$	% FSO
Temp. caused Span Error (-25 to 0 and 85 to 100 deg C)	0.0	$\pm 0.15$	$\pm 0.5$	% FSO
Temp. caused Span Error (-40 to -25 and 100 to 125 deg C)	0.0	$\pm 0.15$	$\pm 1.0$	% FSO
Linearity Error (best straight line fit)	0.0	$\pm 0.05$	$\pm 0.15$	% FSO
Hysteresis Error (Nominal Pressure Cycle)	0.0	$\pm 0.05$	$\pm 0.15$	% FSO
Hysteresis Error Offset (Operating Temperature Cycle)	0.0	$\pm 0.05$	$\pm 0.30$	% FSO
Combined total Error (-25 to 85 deg C)		$\pm 0.5$		% FSO
Combined total Error (-40 to -25 and 85 to 125 deg C)		$\pm 1.5$		% FSO
Long Term Stability (only standard types with nominal pressure >500Pa)			$\pm 0.1$	% FSO/a
Nominal Pressure	0...+100Pa	see individual data sheets	0...25bar	
Offset Calibration digital	18	100	182	counts
Full Scale Output Calibration digital	32585	32667	32749	counts
Offset & Full Scale Output calibration accuracy	-0.25	0	0.25	% FSO
Overpressure (no irreversible change of parameters)	0.05	see individual data sheets	35	bar
Burst Pressure	0.5	see individual data sheets	35	bar
Response Time (default setting: min value; slower values on request)	0,6	-	20.0	ms
Power on recovery time (to the first shifted output)	2,0	-	5.0	ms
Digital Input High Level	3,5	-	5	V
Digital Input Low Level	0,0	-	1,5	V
Digital Output Low Level	-	-	0,5	V
Digital Load Capacity on Data Out (MISO)	-	-	400	pF
Digital Clock Puls Length	2,5	-	-	$\mu$ s
Ambient Humidity guaranteed operation (not operating)			95 (100)	%r.H.
MTBF (In operating conditions)		$1.0 \times 10^9$	$1.0 \times 10^8$	Part-hours

### Maximum Values

Supply Voltage	:	40V DC
Ambient Temperature:		-40°C bis +125°C
Storage Temperature:		-40°C bis +150°C
EMI-Protection:		+2000V
Latch up free:		+/-100mA or +8V/-4V to GND

### Characteristics SCPB-F3.3 Series (All values are referred to 3.3V Supply and 25 deg C if not otherwise specified)

PARAMETER	MINIMUM	NOMINAL	MAXIMUM	UNIT
Supply Voltage	3.2	3.3	40.0	V
Supply Current (with >1M $\Omega$ output load resistance)	3.2	3.4	4.5	mA
Internal Reference Voltage	2.960	3.000	3.020	V
Operating Temperature	-40	25.0	125.0	deg C
Compensated Temperature (guaranteed accuracy)	-40	25.0	125.0	deg C
Temp. caused Offset Error (0 to 70 deg C)	0.0	$\pm 0.15$	$\pm 0.3$	% FSO
Temp. caused Offset Error (-25 to 0 and 70 to 100 deg C)	0.0	$\pm 0.15$	$\pm 0.5$	% FSO
Temp. caused Offset Error (-40 to -25 and 100 to 125 deg C)	0.0	$\pm 0.15$	$\pm 1.0$	% FSO
Temp. caused Span Error (0 to 70 deg C)	0.0	$\pm 0.15$	$\pm 0.3$	% FSO
Temp. caused Span Error (-25 to 0 and 85 to 100 deg C)	0.0	$\pm 0.15$	$\pm 0.5$	% FSO
Temp. caused Span Error (-40 to -25 and 100 to 125 deg C)	0.0	$\pm 0.15$	$\pm 1.0$	% FSO
Linearity Error (best straight line fit)	0.0	$\pm 0.05$	$\pm 0.15$	% FSO
Hysteresis Error (Nominal Pressure Cycle)	0.0	$\pm 0.05$	$\pm 0.15$	% FSO
Hysteresis Error Offset (Operating Temperature Cycle)	0.0	$\pm 0.05$	$\pm 0.30$	% FSO
Combined total Error (-25 to 85 deg C)		$\pm 0.5$		% FSO
Combined total Error (-40 to -25 and 85 to 125 deg C)		$\pm 1.5$		% FSO
Long Term Stability (only standard types with nominal pressure >500Pa)			$\pm 0.1$	% FSO/a
Nominal Pressure	0...+100Pa	see individual data sheets	0...25bar	
Offset Calibration analog (if precision analog output is requested)	0.050	0.075	0.100	V
Full Scale Output Calibration analog (if precision analog output is requested)	2.960	2.990	3.020	V
Offset Calibration digital	18	100	182	counts
Full Scale Output Calibration digital	32585	32667	32749	counts
Offset & Full Scale Output calibration accuracy	-0.25	0	0.25	% FSO
Overpressure (no irreversible change of parameters)	0.05	see individual data sheets	35	bar
Burst Pressure	0.5	see individual data sheets	35	bar
Response Time (default setting: min value; slower values on request)	0,6	-	20.0	ms
Power on recovery time (to the first shifted output)		2.4	8.0	ms
Analog output load resistance	2.0		indefinit	k $\Omega$ m
Analog output short circuit current	5.0	10.0	20.0	mA
Analog output load capacitance (10nF internally clamped)	-	0	10.0	nF
Analog output slew rate	100	-	-	V/ms
Ambient Humidity guaranteed operation (not operating)			95 (100)	%r.H.
MTBF (In operating conditions)		$1.0 \times 10^9$	$1.0 \times 10^8$	Part-hours

# SCPB-R5-analog Series

OEM Pressure Sensor  
 Amplified **analog Output 0..5V**  
 Output **ratiometric** to supply  
 5V **+5%** supply

## Standard Types overview

SCPB...R5-analog Series							
Type-Numbers			Nominal Pressure			Proof Pressure	Burst Pressure
Differential Pressure	Gage Pressure	Absolute Pressure					
Low Pressure Devices			kPa	mb	PSI	kPa	kPa
bidirectional							
SCPB-kPa-0.2/0.2D0V5R	SCPB-kPa-0.2/0.2G0V5R		±0,2	±2,0	±0,03	5	50
SCPB-kPa-0.5/0.5D0V5R	SCPB-kPa-0.5/0.5G0V5R		±0,5	±5,0	±0,08	5	50
SCPB-kPa-1/1D0V5R	SCPB-kPa-1/1G0V5R		±1,0	±10	±0,15	60 (600)	600
SCPB-kPa-2/2D0V5R	SCPB-kPa-2/2G0V5R		±2,0	±20	±0,30	200 (600)	600
SCPB-kPa-5/5D0V5R	SCPB-kPa-5/5G0V5R		±5,0	±50	±0,80	600	600
SCPB-kPa-10/10D0V5R	SCPB-kPa-10/10G0V5R		±10	±100	±1,5	600	600
SCPB-kPa-20/20D0V5R	SCPB-kPa-20/20G0V5R		±20	±200	±3	600	1000
SCPB-kPa-50/50D0V5R	SCPB-kPa-50/50G0V5R		±50	±500	±8	600	1000
SCPB-kPa-100/100D0V5R	SCPB-kPa-100/100G0V5R		±100	±1000	±15	600	1000
unidirectional							
SCPB-kPa0/0.2D0V5R	SCPB-kPa0/0.2G0V5R		0..0,2	2,0	0,03	5	50
SCPB-kPa0/0.5D0V5R	SCPB-kPa0/0.5G0V5R		0,5	5,0	0,1	5	50
SCPB-kPa0/1D0V5R	SCPB-kPa0/1G0V5R		1,0	10,0	0,2	600	600
SCPB-kPa0/2D0V5R	SCPB-kPa0/2G0V5R		2,0	20,0	0,3	600	600
SCPB-kPa0/5D0V5R	SCPB-kPa0/5G0V5R		5,0	50,0	0,8	600	600
SCPB-kPa0/10D0V5R	SCPB-kPa0/10G0V5R		10,0	100,0	1,5	600	600
SCPB-kPa0/20D0V5R	SCPB-kPa0/20G0V5R	SCPB-kPa0/20DAV5R	20,0	200,0	3,0	600	1000
SCPB-kPa0/50D0V5R	SCPB-kPa0/50G0V5R	SCPB-kPa0/50A0V5R	50,0	500,0	8,0	600	1000
SCPB-kPa0/100D0V5R	SCPB-kPa0/100G0V5R		100,0	1000,0	15,0	600	1000
		SCPB-kPa0/110A0V5R	110,0	1100,0	16,0	600	1000
		SCPB-kPa70/110A0V5R	70..110	700..1100	10..16	700	1600
Type-Numbers			Nominal Pressure			Proof Pressure	Burst Pressure
Differential Pressure	Gage Pressure	Absolute Pressure					
High Pressure Devices			MPa	bar	PSI	MPa	MPa
unidirectional							
SCPB-MPa0/0.2D0V5R	SCPB-MPa0/0.2G0V5R	SCPB-MPa0/0.2A0V5R	0,2	2,0	30,0	0,7	3,5
SCPB-MPa0/0.5D0V5R	SCPB-MPa0/0.5G0V5R	SCPB-MPa0/0.5A0V5R	0,5	5,0	80,0	2,5	3,5
SCPB-MPa0/10D0V5R	SCPB-MPa0/10G0V5R	SCPB-MPa0/10A0V5R	1,0	10,0	150,0	3,5	3,5
SCPB-MPa0/16D0V5R	SCPB-MPa0/16G0V5R	SCPB-MPa0/16A0V5R	1,6	16,0	240,0	3,5	3,5
SCPB-MPa0/20D0V5R	SCPB-MPa0/20G0V5R	SCPB-MPa0/20A0V5R	2,0	20,0	300,0	3,5	3,5
SCPB-MPa0/25D0V5R	SCPB-MPa0/25G0V5R	SCPB-MPa0/25A0V5R	2,5	25,0	375,0	3,5	3,5

# SCPB-R3.3-analog Series

OEM Pressure Sensor  
 Amplified **analog Output 0..3.3V**  
 Output **ratiometric** to supply  
 3.3V **+5%** supply

## Standard Types overview

SCPB...R3.3-analog Series										
Type-Numbers			Nominal Pressure			Proof Pressure	Burst Pressure			
Differential Pressure	Gage Pressure	Absolute Pressure								
Low Pressure Devices			kPa	mb	PSI	kPa	kPa			
unidirectional										
SCPB-kPa-0.2/0.2D0V3.3R	SCPB-kPa-0.2/0.2G0V3.3R		±0,2	±2,0	±0,03	5	50			
SCPB-kPa-0.5/0.5D0V3.3R	SCPB-kPa-0.5/0.5G0V3.3R		±0,5	±5,0	±0,08	5	50			
SCPB-kPa-1/1D0V3.3R	SCPB-kPa-1/1G0V3.3R		±1,0	±10	±0,15	60 (600)	600			
SCPB-kPa-2/2D0V3.3R	SCPB-kPa-2/2G0V3.3R		±2,0	±20	±0,30	200 (600)	600			
SCPB-kPa-5/5D0V3.3R	SCPB-kPa-5/5G0V3.3R		±5,0	±50	±0,80	600	600			
SCPB-kPa-10/10D0V3.3R	SCPB-kPa-10/10G0V3.3R		±10	±100	±1,5	600	600			
SCPB-kPa-20/20D0V3.3R	SCPB-kPa-20/20G0V3.3R		±20	±200	±3	600	1000			
SCPB-kPa-50/50D0V3.3R	SCPB-kPa-50/50G0V3.3R		±50	±500	±8	600	1000			
SCPB-kPa-100/100D0V3.3R	SCPB-kPa-100/100G0V3.3R		±100	±1000	±15	600	1000			
unidirectional										
SCPB-kPa0/0.2D0V3.3R	SCPB-kPa0/0.2G0V3.3R		0,2	2,0	0,03	5	50			
SCPB-kPa0/0.5D0V3.3R	SCPB-kPa0/0.5G0V3.3R		0,5	5,0	0,1	5	50			
SCPB-kPa0/1D0V3.3R	SCPB-kPa0/1G0V3.3R		1,0	10,0	0,2	600	600			
SCPB-kPa0/2D0V3.3R	SCPB-kPa0/2G0V3.3R		2,0	20,0	0,3	600	600			
SCPB-kPa0/5D0V3.3R	SCPB-kPa0/5G0V3.3R		5,0	50,0	0,8	600	600			
SCPB-kPa0/10D0V3.3R	SCPB-kPa0/10G0V3.3R		10,0	100,0	1,5	600	600			
SCPB-kPa0/20D0V3.3R	SCPB-kPa0/20G0V3.3R	SCPB-kPa0/20DAV3.3R	20,0	200,0	3,0	600	1000			
SCPB-kPa0/50D0V3.3R	SCPB-kPa0/50G0V3.3R	SCPB-kPa0/50A0V3.3R	50,0	500,0	8,0	600	1000			
SCPB-kPa0/100D0V3.3R	SCPB-kPa0/100G0V3.3R		100,0	1000,0	15,0	600	1000			
		SCPB-kPa0/110A0V3.3R	110,0	1100,0	16,0	600	1000			
		SCPB-kPa70/110A0V3.3R	70..110	700..1100	10..16	700	1600			
Type-Numbers			Nominal Pressure			Proof Pressure	Burst Pressure			
Differential Pressure	Gage Pressure	Absolute Pressure								
High Pressure Devices			MPa	bar	PSI	MPa	MPa			
unidirectional										
SCPB-MPa0/0.2D0V3.3R	SCPB-MPa0/0.2G0V3.3R	SCPB-MPa0/0.2A0V3.3R	0,2	2,0	30,0	3,5	3,5			
SCPB-MPa0/0.5D0V3.3R	SCPB-MPa0/0.5G0V3.3R	SCPB-MPa0/0.5A0V3.3R	0,5	5,0	80,0	3,5	3,5			
SCPB-MPa0/10D0V3.3R	SCPB-MPa0/10G0V3.3R	SCPB-MPa0/10A0V3.3R	1,0	10,0	150,0	3,5	3,5			
SCPB-MPa0/16D0V3.3R	SCPB-MPa0/16G0V3.3R	SCPB-MPa0/16A0V3.3R	1,6	16,0	240,0	3,5	3,5			
SCPB-MPa0/20D0V3.3R	SCPB-MPa0/20G0V3.3R	SCPB-MPa0/20A0V3.3R	2,0	20,0	300,0	3,5	3,5			
SCPB-MPa0/25D0V3.3R	SCPB-MPa0/25G0V3.3R	SCPB-MPa0/25A0V3.3R	2,5	25,0	375,0	3,5	3,5			
SCPB-MPa0/16A0V3.3R	SCPB-MPa0/16G0V3.3R	SCPB-MPa0/16A0V3.3R	1,6	16,0	240,0	3,5	3,5			

# SCPB-R3-analog-Series

OEM Pressure Sensor  
 Amplified **analog Output 0..3V**  
 Output **ratiometric** to supply  
 3V **+5%** supply

## Standard Types overview

SCPB...R3-analog Series										
Type-Numbers						Nominal Pressure			Proof Pressure	Burst Pressure
Differential Pressure	Gage Pressure		Absolute Pressure							
Low Pressure Devices						kPa	mb	PSI	kPa	kPa
bidirectional										
SCPB-kPa-0.2/0.2D0V3R	SCPB-kPa-0.2/0.2G0V3R					±0,2	±2,0	±0,03	5	50
SCPB-kPa-0.5/0.5D0V3R	SCPB-kPa-0.5/0.5G0V3R					±0,5	±5,0	±0,08	5	50
SCPB-kPa-1/1D0V3R	SCPB-kPa-1/1G0V3R					±1,0	±10	±0,15	60 (600)	600
SCPB-kPa-2/2D0V3R	SCPB-kPa-2/2G0V3R					±2,0	±20	±0,30	200 (600)	600
SCPB-kPa-5/5D0V3R	SCPB-kPa-5/5G0V3R					±5,0	±50	±0,80	600	600
SCPB-kPa-10/10D0V3R	SCPB-kPa-10/10G0V3R					±10	±100	±1,5	600	600
SCPB-kPa-20/20D0V3R	SCPB-kPa-20/20G0V3R					±20	±200	±3	600	1000
SCPB-kPa-50/50D0V3R	SCPB-kPa-50/50G0V3R					±50	±500	±8	600	1000
SCPB-kPa-100/100D0V3R	SCPB-kPa-100/100G0V3R					±100	±1000	±15	600	1000
unidirectional										
SCPB-kPa0/0.2D0V3R	SCPB-kPa0/0.2G0V3R					0,2	2,0	0,03	5	50
SCPB-kPa0/0.5D0V3R	SCPB-kPa0/0.5G0V3R					0,5	5,0	0,1	5	50
SCPB-kPa0/1D0V3R	SCPB-kPa0/1G0V3R					1,0	10,0	0,2	600	600
SCPB-kPa0/2D0V3R	SCPB-kPa0/2G0V3R					2,0	20,0	0,3	600	600
SCPB-kPa0/5D0V3R	SCPB-kPa0/5G0V3R					5,0	50,0	0,8	600	600
SCPB-kPa0/10D0V3R	SCPB-kPa0/10G0V3R					10,0	100,0	1,5	600	600
SCPB-kPa0/20D0V3R	SCPB-kPa0/20G0V3R		SCPB-kPa0/20DAV3R			20,0	200,0	3,0	600	1000
SCPB-kPa0/50D0V3R	SCPB-kPa0/50G0V3R		SCPB-kPa0/50A0V3R			50,0	500,0	8,0	600	1000
SCPB-kPa0/100D0V3R	SCPB-kPa0/100G0V3R					100,0	1000,0	15,0	600	1000
			SCPB-kPa0/110A0V3R			110,0	1100,0	16,0	600	1000
			SCPB-kPa70/110A0V3R			70..110	700..1100	10..16	700	1600
Type-Numbers						Nominal Pressure			Proof Pressure	Burst Pressure
Differential Pressure	Gage Pressure		Absolute Pressure							
High Pressure Devices						MPa	bar	PSI	MPa	MPa
unidirectional										
SCPB-MPa0/0.2D0V3R	SCPB-MPa0/0.2G0V3R		SCPB-MPa0/0.2A0V3R			0,2	2,0	30,0	3,5	3,5
SCPB-MPa0/0.5D0V3R	SCPB-MPa0/0.5G0V3R		SCPB-MPa0/0.5A0V3R			0,5	5,0	80,0	3,5	3,5
SCPB-MPa0/10D0V3R	SCPB-MPa0/10G0V3R		SCPB-MPa0/10A0V3R			1,0	10,0	150,0	3,5	3,5
SCPB-MPa0/16D0V3R	SCPB-MPa0/16G0V3R		SCPB-MPa0/16A0V3R			1,6	16,0	240,0	3,5	3,5
SCPB-MPa0/20D0V3R	SCPB-MPa0/20G0V3R		SCPB-MPa0/20A0V3R			2,0	20,0	300,0	3,5	3,5
SCPB-MPa0/25D0V3R	SCPB-MPa0/25G0V3R		SCPB-MPa0/25A0V3R			2,5	25,0	375,0	3,5	3,5

# SCPB-F5-analog Series

OEM Pressure Sensor  
 Amplified **analog Output 0..4V**  
 4.5-40V DC Supply,  
**Fixed** internal Voltage-Reference

## Standard Types overview

SCPB...F5-analog Series								
Type-Numbers			Nominal Pressure			Proof Pressure	Burst Pressure	
Differential Pressure	Gage Pressure	Absolute Pressure						
<b>Low Pressure Devices</b>			<b>kPa</b>	<b>mb</b>	<b>PSI</b>	<b>kPa</b>	<b>kPa</b>	
<b>bidirectional</b>								
SCPB-kPa-0.2/0.2D0V4F	SCPB-kPa-0.2/0.2G0V4F		±0,2	±2,0	±0,03	5	50	
SCPB-kPa-0.5/0.5D0V4F	SCPB-kPa-0.5/0.5G0V4F		±0,5	±5,0	±0,08	5	50	
SCPB-kPa-1/1D0V4F	SCPB-kPa-1/1G0V4F		±1,0	±10	±0,15	60 (600)	600	
SCPB-kPa-2/2D0V4F	SCPB-kPa-2/2G0V4F		±2,0	±20	±0,30	200 (600)	600	
SCPB-kPa-5/5D0V4F	SCPB-kPa-5/5G0V4F		±5,0	±50	±0,80	600	600	
SCPB-kPa-10/10D0V4F	SCPB-kPa-10/10G0V4F		±10	±100	±1,5	600	600	
SCPB-kPa-20/20D0V4F	SCPB-kPa-20/20G0V4F		±20	±200	±3	600	1000	
SCPB-kPa-50/50D0V4F	SCPB-kPa-50/50G0V4F		±50	±500	±8	600	1000	
SCPB-kPa-100/100D0V4F	SCPB-kPa-100/100G0V4F		±100	±1000	±15	600	1000	
<b>unidirectional</b>								
SCPB-kPa0/0.2D0V4F	SCPB-kPa0/0.2G0V4F		0,2	2,0	0,03	5	50	
SCPB-kPa0/0.5D0V4F	SCPB-kPa0/0.5G0V4F		0,5	5,0	0,1	5	50	
SCPB-kPa0/1D0V4F	SCPB-kPa0/1G0V4F		1,0	10,0	0,2	600	600	
SCPB-kPa0/2D0V4F	SCPB-kPa0/2G0V4F		2,0	20,0	0,3	600	600	
SCPB-kPa0/5D0V4F	SCPB-kPa0/5G0V4F		5,0	50,0	0,8	600	600	
SCPB-kPa0/10D0V4F	SCPB-kPa0/10G0V4F		10,0	100,0	1,5	600	600	
SCPB-kPa0/20D0V4F	SCPB-kPa0/20G0V4F	SCPB-kPa0/20DAV5F	20,0	200,0	3,0	600	1000	
SCPB-kPa0/50D0V4F	SCPB-kPa0/50G0V4F	SCPB-kPa0/50A0V4F	50,0	500,0	8,0	600	1000	
SCPB-kPa0/100D0V4F	SCPB-kPa0/100G0V4F		100,0	1000,0	15,0	600	1000	
		SCPB-kPa0/110A0V4F	110,0	1100,0	16,0	600	1000	
		SCPB-kPa70/110A0V4F	70..110	700..1100	10..16	700	1600	
<b>Type-Numbers</b>			Nominal Pressure			Proof Pressure	Burst Pressure	
Differential Pressure	Gage Pressure	Absolute Pressure						
<b>High Pressure Devices</b>			<b>MPa</b>	<b>bar</b>	<b>PSI</b>	<b>MPa</b>	<b>MPa</b>	
<b>unidirectional</b>								
SCPB-MPa0/0.2D0V4F	SCPB-MPa0/0.2G0V4F	SCPB-MPa0/0.2A0V4F	0,2	2,0	30,0	3,5	3,5	
SCPB-MPa0/0.5D0V4F	SCPB-MPa0/0.5G0V4F	SCPB-MPa0/0.5A0V4F	0,5	5,0	80,0	3,5	3,5	
SCPB-MPa0/10D0V4F	SCPB-MPa0/10G0V4F	SCPB-MPa0/10A0V4F	1,0	10,0	150,0	3,5	3,5	
SCPB-MPa0/16D0V4F	SCPB-MPa0/16G0V4F	SCPB-MPa0/16A0V4F	1,6	16,0	240,0	3,5	3,5	
SCPB-MPa0/20D0V4F	SCPB-MPa0/20G0V4F	SCPB-MPa0/20A0V4F	2,0	20,0	300,0	3,5	3,5	
SCPB-MPa0/25D0V4F	SCPB-MPa0/25G0V4F	SCPB-MPa0/25A0V4F	2,5	25,0	375,0	3,5	3,5	

# SCPB-F3.3-analog Series

OEM Pressure Sensor  
 Amplified **analog Output 0..3V**  
 3.3-40V Supply  
**Fixed** internal Voltage-Reference

## Standard Types overview

SCPB...F3.3-analog Series							
Type-Numbers			Nominal Pressure			Proof Pressure	Burst Pressure
Differential Pressure	Gage Pressure	Absolute Pressure					
Low Pressure Devices			kPa	mb	PSI	kPa	kPa
unidirectional							
SCPB-kPa-0.2/0.2D0V3F	SCPB-kPa-0.2/0.2G0V3F		±0,2	±2,0	±0,03	5	50
SCPB-kPa-0.5/0.5D0V3F	SCPB-kPa-0.5/0.5G0V3F		±0,5	±5,0	±0,08	5	50
SCPB-kPa-1/1D0V3F	SCPB-kPa-1/1G0V3F		±1,0	±10	±0,15	60 (600)	600
SCPB-kPa-2/2D0V3F	SCPB-kPa-2/2G0V3F		±2,0	±20	±0,30	200 (600)	600
SCPB-kPa-5/5D0V3F	SCPB-kPa-5/5G0V3F		±5,0	±50	±0,80	600	600
SCPB-kPa-10/10D0V3F	SCPB-kPa-10/10G0V3F		±10	±100	±1,5	600	600
SCPB-kPa-20/20D0V3F	SCPB-kPa-20/20G0V3F		±20	±200	±3	600	1000
SCPB-kPa-50/50D0V3F	SCPB-kPa-50/50G0V3F		±50	±500	±8	600	1000
SCPB-kPa-100/100D0V3F	SCPB-kPa-100/100G0V3F		±100	±1000	±15	600	1000
unidirectional							
SCPB-kPa0/0.2D0V3F	SCPB-kPa0/0.2G0V3F		0,2	2,0	0,03	5	50
SCPB-kPa0/0.5D0V3F	SCPB-kPa0/0.5G0V3F		0,5	5,0	0,1	5	50
SCPB-kPa0/1D0V3F	SCPB-kPa0/1G0V3F		1,0	10,0	0,2	600	600
SCPB-kPa0/2D0V3F	SCPB-kPa0/2G0V3F		2,0	20,0	0,3	600	600
SCPB-kPa0/5D0V3F	SCPB-kPa0/5G0V3F		5,0	50,0	0,8	600	600
SCPB-kPa0/10D0V3F	SCPB-kPa0/10G0V3F		10,0	100,0	1,5	600	600
SCPB-kPa0/20D0V3F	SCPB-kPa0/20G0V3F	SCPB-kPa0/20DAV3.3F	20,0	200,0	3,0	600	1000
SCPB-kPa0/50D0V3F	SCPB-kPa0/50G0V3F	SCPB-kPa0/50A0V3F	50,0	500,0	8,0	600	1000
SCPB-kPa0/100D0V3F	SCPB-kPa0/100G0V3F		100,0	1000,0	15,0	600	1000
		SCPB-kPa0/110A0V3F	110,0	1100,0	16,0	600	1000
		SCPB-kPa70/110A0V3F	70..110	700..1100	10..16	700	1600
Type-Numbers			Nominal Pressure			Proof Pressure	Burst Pressure
Differential Pressure	Gage Pressure	Absolute Pressure					
High Pressure Devices			MPa	mb	PSI	MPa	MPa
unidirectional							
SCPB-MPa0/0.2D0V3F	SCPB-MPa0/0.2G0V3F	SCPB-MPa0/0.2A0V3F	0,2	2,0	30,0	3,5	3,5
SCPB-MPa0/0.5D0V3F	SCPB-MPa0/0.5G0V3F	SCPB-MPa0/0.5A0V3F	0,5	5,0	80,0	3,5	3,5
SCPB-MPa0/10D0V3F	SCPB-MPa0/10G0V3F	SCPB-MPa0/10A0V3F	1,0	10,0	150,0	3,5	3,5
SCPB-MPa0/16D0V3F	SCPB-MPa0/16G0V3F	SCPB-MPa0/16A0V3F	1,6	16,0	240,0	3,5	3,5
SCPB-MPa0/20D0V3F	SCPB-MPa0/20G0V3F	SCPB-MPa0/20A0V3F	2,0	20,0	300,0	3,5	3,5
SCPB-MPa0/25D0V3F	SCPB-MPa0/25G0V3F	SCPB-MPa0/25A0V3F	2,5	25,0	375,0	3,5	3,5

# SCPB-I<sup>2</sup>C-F5-Series

OEM Pressure Sensor  
**I<sup>2</sup>C-bus** Digital Output 15bit  
 Amplified **analog Output 0..4V**  
 4.5-40V Supply,  
**Fixed** internal Voltage-Reference

## Standard Types overview

SCPB...I <sup>2</sup> C-F5 - digital Series							
Type-Numbers			Nominal Pressure			Proof Pressure	Burst Pressure
Differential Pressure	Gage Pressure	Absolute Pressure					
Low Pressure Devices			kPa	mb	PSI	kPa	kPa
bidirectional							
SCPB-kPa-0.2/0.2D100i2C32667F5	SCPB-kPa-0.2/0.2G100i2C32667F5		±0,2	±2,0	±0,03	5	50
SCPB-kPa-0.5/0.5D100i2C32667F5	SCPB-kPa-0.5/0.5G100i2C32667F5		±0,5	±5,0	±0,08	5	50
SCPB-kPa-1/1D100i2C32667F5	SCPB-kPa-1/1G100i2C32667F5		±1,0	±10	±0,15	60 (600)	600
SCPB-kPa-2/2D100i2C32667F5	SCPB-kPa-2/2G100i2C32667F5		±2,0	±20	±0,30	200 (600)	600
SCPB-kPa-5/5D100i2C32667F5	SCPB-kPa-5/5G100i2C32667F5		±5,0	±50	±0,80	600	600
SCPB-kPa-10/10D100i2C32667F5	SCPB-kPa-10/10G100i2C32667F5		±10	±100	±1,5	600	600
SCPB-kPa-20/20D100i2C32667F5	SCPB-kPa-20/20G100i2C32667F5		±20	±200	±3	600	1000
SCPB-kPa-50/50D100i2C32667F5	SCPB-kPa-50/50G100i2C32667F5		±50	±500	±8	600	1000
SCPB-kPa-100/100D100i2C32667F5	SCPB-kPa-100/100G100i2C32667F5		±100	±1000	±15	600	1000
unidirectional							
SCPB-kPa0/0.2D100i2C32667F5	SCPB-kPa0/0.2G100i2C32667F5		0,2	2,0	0,03	5	50
SCPB-kPa0/0.5D100i2C32667F5	SCPB-kPa0/0.5G100i2C32667F5		0,5	5,0	0,1	5	50
SCPB-kPa0/1D100i2C32667F5	SCPB-kPa0/1G100i2C32667F5		1,0	10,0	0,2	600	600
SCPB-kPa0/2D100i2C32667F5	SCPB-kPa0/2G100i2C32667F5		2,0	20,0	0,3	600	600
SCPB-kPa0/5D100i2C32667F5	SCPB-kPa0/5G100i2C32667F5		5,0	50,0	0,8	600	600
SCPB-kPa0/10D100i2C32667F5	SCPB-kPa0/10G100i2C32667F5		10,0	100,0	1,5	600	600
SCPB-kPa0/20D100i2C32667F5	SCPB-kPa0/20G100i2C32667F5	SCPB-kPa0/20A100i2C32667F5	20,0	200,0	3,0	600	1000
SCPB-kPa0/50D100i2C32667F5	SCPB-kPa0/50G100i2C32667F5	SCPB-kPa0/50A100i2C32667F5	50,0	500,0	8,0	600	1000
SCPB-kPa0/100D100i2C32667F5	SCPB-kPa0/100G100i2C32667F5		100,0	1000,0	15,0	600	1000
		SCPB-kPa0/110A100i2C32667F5	110,0	1100,0	16,0	600	1000
		SCPB-kPa70/110A100i2C32667F5	70..110	700..1100	10..16	700	1600
Type-Numbers			Nominal Pressure			Proof Pressure	Burst Pressure
Differential Pressure	Gage Pressure	Absolute Pressure					
High Pressure Devices			MPa	bar	PSI	MPa	MPa
unidirectional							
SCPB-MPa0/0.2D100i2C32667F5	SCPB-MPa0/0.2G100i2C32667F5	SCPB-MPa0/0.2A100i2C32667F5	0,2	2,0	30,0	3,5	3,5
SCPB-MPa0/0.5D100i2C32667F5	SCPB-MPa0/0.5G100i2C32667F5	SCPB-MPa0/0.5A100i2C32667F5	0,5	5,0	80,0	3,5	3,5
SCPB-MPa0/10D100i2C32667F5	SCPB-MPa0/10G100i2C32667F5	SCPB-MPa0/10A100i2C32667F5	1,0	10,0	150,0	3,5	3,5
SCPB-MPa0/16D100i2C32667F5	SCPB-MPa0/16G100i2C32667F5	SCPB-MPa0/16A100i2C32667F5	1,6	16,0	240,0	3,5	3,5
SCPB-MPa0/20D100i2C32667F5	SCPB-MPa0/20G100i2C32667F5	SCPB-MPa0/20A100i2C32667F5	2,0	20,0	300,0	3,5	3,5
SCPB-MPa0/25D100i2C32667F5	SCPB-MPa0/25G100i2C32667F5	SCPB-MPa0/25A100i2C32667F5	2,5	25,0	375,0	3,5	3,5

## Standard Types overview

SCPB...SPI-F5 - digital Series							
Type-Numbers			Nominal Pressure			Proof Pressure	Burst Pressure
Differential Pressure	Gage Pressure	Absolute Pressure					
Low Pressure Devices			kPa	mb	PSI	kPa	kPa
bidirectional							
SCPB-kPa-0.2/0.2D-SPI-F5	SCPB-kPa-0.2/0.2G-SPI-F5		±0,2	±2,0	±0,03	5	50
SCPB-kPa-0.5/0.5D-SPI-F5	SCPB-kPa-0.5/0.5G-SPI-F5		±0,5	±5,0	±0,08	5	50
SCPB-kPa-1/1D-SPI-F5	SCPB-kPa-1/1G-SPI-F5		±1,0	±10	±0,15	60 (600)	600
SCPB-kPa-2/2D-SPI-F5	SCPB-kPa-2/2G-SPI-F5		±2,0	±20	±0,30	200 (600)	600
SCPB-kPa-5/5D-SPI-F5	SCPB-kPa-5/5G-SPI-F5		±5,0	±50	±0,80	600	600
SCPB-kPa-10/10D-SPI-F5	SCPB-kPa-10/10G-SPI-F5		±10	±100	±1,5	600	600
SCPB-kPa-20/20D-SPI-F5	SCPB-kPa-20/20G-SPI-F5		±20	±200	±3	600	1000
SCPB-kPa-50/50D-SPI-F5	SCPB-kPa-50/50G-SPI-F5		±50	±500	±8	600	1000
SCPB-kPa-100/100D-SPI-F5	SCPB-kPa-100/100G-SPI-F5		±100	±1000	±15	600	1000
unidirectional							
SCPB-kPa0/0.2D-SPI-F5	SCPB-kPa0/0.2G-SPI-F5		0,2	2,0	0,03	5	50
SCPB-kPa0/0.5D-SPI-F5	SCPB-kPa0/0.5G-SPI-F5		0,5	5,0	0,1	5	50
SCPB-kPa0/1D-SPI-F5	SCPB-kPa0/1G-SPI-F5		1,0	10,0	0,2	600	600
SCPB-kPa0/2D-SPI-F5	SCPB-kPa0/2G-SPI-F5		2,0	20,0	0,3	600	600
SCPB-kPa0/5D-SPI-F5	SCPB-kPa0/5G-SPI-F5		5,0	50,0	0,8	600	600
SCPB-kPa0/10D-SPI-F5	SCPB-kPa0/10G-SPI-F5		10,0	100,0	1,5	600	600
SCPB-kPa0/20D-SPI-F5	SCPB-kPa0/20G-SPI-F5	SCPB-kPa0/20D-SPI-F5	20,0	200,0	3,0	600	1000
SCPB-kPa0/50D-SPI-F5	SCPB-kPa0/50G-SPI-F5	SCPB-kPa0/50A-SPI-F5	50,0	500,0	8,0	600	1000
SCPB-kPa0/100D-SPI-F5	SCPB-kPa0/100G-SPI-F5		100,0	1000,0	15,0	600	1000
		SCPB-kPa0/110A-SPI-F5	110,0	1100,0	16,0	600	1000
		SCPB-kPa70/110A-SPI-F5	70..110	700..1100	10..16	700	1600
Type-Numbers			Nominal Pressure			Proof Pressure	Burst Pressure
Differential Pressure	Gage Pressure	Absolute Pressure					
High Pressure Devices			MPa	bar	PSI	MPa	MPa
unidirectional							
SCPB-MPa0/0.2D-SPI-F5	SCPB-MPa0/0.2G-SPI-F5	SCPB-MPa0/0.2A-SPI-F5	0,2	2,0	30,0	3,5	3,5
SCPB-MPa0/0.5D-SPI-F5	SCPB-MPa0/0.5G-SPI-F5	SCPB-MPa0/0.5A-SPI-F5	0,5	5,0	80,0	3,5	3,5
SCPB-MPa0/10D-SPI-F5	SCPB-MPa0/10G-SPI-F5	SCPB-MPa0/10A-SPI-F5	1,0	10,0	150,0	3,5	3,5
SCPB-MPa0/16D-SPI-F5	SCPB-MPa0/16G-SPI-F5	SCPB-MPa0/16A-SPI-F5	1,6	16,0	240,0	3,5	3,5
SCPB-MPa0/20D-SPI-F5	SCPB-MPa0/20G-SPI-F5	SCPB-MPa0/20A-SPI-F5	2,0	20,0	300,0	3,5	3,5
SCPB-MPa0/25D-SPI-F5	SCPB-MPa0/25G-SPI-F5	SCPB-MPa0/25A-SPI-F5	2,5	25,0	375,0	3,5	3,5

# SCPB-I<sup>2</sup>C-F3.3-Series

OEM Pressure Sensor

I<sup>2</sup>C-bus Digital Output 15bit

Amplified analog Output 0..3V

3.3-40V Supply

Fixed internal Voltage-Reference

## Standard Types overview

SCPB...I <sup>2</sup> C-F3.3 – digital Series										
Type-Numbers						Nominal Pressure			Proof Pressure	Burst Pressure
Differential Pressure	Gage Pressure	Absolute Pressure								
Low Pressure Devices						kPa	mb	PSI	kPa	kPa
bidirectional										
SCPB-kPa-0.2/0.2D100i2C32667F3.3	SCPB-kPa-0.2/0.2G100i2C32667F3.3				±0,2	±2,0	±0,03	5	50	
SCPB-kPa-0.5/0.5D100i2C32667F3.3	SCPB-kPa-0.5/0.5G100i2C32667F3.3				±0,5	±5,0	±0,08	5	50	
SCPB-kPa-1/1D100i2C32667F3.3	SCPB-kPa-1/1G100i2C32667F3.3				±1,0	±10	±0,15	60 (600)	600	
SCPB-kPa-2/2D100i2C32667F3.3	SCPB-kPa-2/2G100i2C32667F3.3				±2,0	±20	±0,30	200 (600)	600	
SCPB-kPa-5/5D100i2C32667F3.3	SCPB-kPa-5/5G100i2C32667F3.3				±5,0	±50	±0,80	600	600	
SCPB-kPa-10/10D100i2C32667F3.3	SCPB-kPa-10/10G100i2C32667F3.3				±10	±100	±1,5	600	600	
SCPB-kPa-20/20D100i2C32667F3.3	SCPB-kPa-20/20G100i2C32667F3.3				±20	±200	±3	600	1000	
SCPB-kPa-50/50D100i2C32667F3.3	SCPB-kPa-50/50G100i2C32667F3.3				±50	±500	±8	600	1000	
SCPB-kPa-100/100D100i2C32667F3.3	SCPB-kPa-100/100G100i2C32667F3.3				±100	±1000	±15	600	1000	
unidirectional										
SCPB-kPa0/0.2D100i2C32667F3.3	SCPB-kPa0/0.2G100i2C32667F3.3				0,2	2,0	0,03	5	50	
SCPB-kPa0/0.5D100i2C32667F3.3	SCPB-kPa0/0.5G100i2C32667F3.3				0,5	5,0	0,1	5	50	
SCPB-kPa0/1D100i2C32667F3.3	SCPB-kPa0/1G100i2C32667F3.3				1,0	10,0	0,2	600	600	
SCPB-kPa0/2D100i2C32667F3.3	SCPB-kPa0/2G100i2C32667F3.3				2,0	20,0	0,3	600	600	
SCPB-kPa0/5D100i2C32667F3.3	SCPB-kPa0/5G100i2C32667F3.3				5,0	50,0	0,8	600	600	
SCPB-kPa0/10D100i2C32667F3.3	SCPB-kPa0/10G100i2C32667F3.3				10,0	100,0	1,5	600	600	
SCPB-kPa0/20D100i2C32667F3.3	SCPB-kPa0/20G100i2C32667F3.3	SCPB-kPa0/20DAV3.3F			20,0	200,0	3,0	600	1000	
SCPB-kPa0/50D100i2C32667F3.3	SCPB-kPa0/50G100i2C32667F3.3	SCPB-kPa0/50A100i2C32667F3.3			50,0	500,0	8,0	600	1000	
SCPB-kPa0/100D100i2C32667F3.3	SCPB-kPa0/100G100i2C32667F3.3			100,0	1000,0	15,0	600	1000		
				110,0	1100,0	16,0	600	1000		
				70..110	700..1100	10..16	700	1600		
Type-Numbers						Nominal Pressure			Proof Pressure	Burst Pressure
Differential Pressure	Gage Pressure	Absolute Pressure								
High Pressure Devices						MPa	mb	PSI	MPa	MPa
unidirectional										
SCPB-MPa0/0.2D100i2C32667F3.3	SCPB-MPa0/0.2G100i2C32667F3.3	SCPB-MPa0/0.2A100i2C32667F3.3			0,2	2,0	30,0	3,5	3,5	
SCPB-MPa0/0.5D100i2C32667F3.3	SCPB-MPa0/0.5G100i2C32667F3.3	SCPB-MPa0/0.5A100i2C32667F3.3			0,5	5,0	80,0	3,5	3,5	
SCPB-MPa0/10D100i2C32667F3.3	SCPB-MPa0/10G100i2C32667F3.3	SCPB-MPa0/10A100i2C32667F3.3			1,0	10,0	150,0	3,5	3,5	
SCPB-MPa0/16D100i2C32667F3.3	SCPB-MPa0/16G100i2C32667F3.3	SCPB-MPa0/16A100i2C32667F3.3			1,6	16,0	240,0	3,5	3,5	
SCPB-MPa0/20D100i2C32667F3.3	SCPB-MPa0/20G100i2C32667F3.3	SCPB-MPa0/20A100i2C32667F3.3			2,0	20,0	300,0	3,5	3,5	
SCPB-MPa0/25D100i2C32667F3.3	SCPB-MPa0/25G100i2C32667F3.3	SCPB-MPa0/25A100i2C32667F3.3			2,5	25,0	375,0	3,5	3,5	

## Standard Types overview

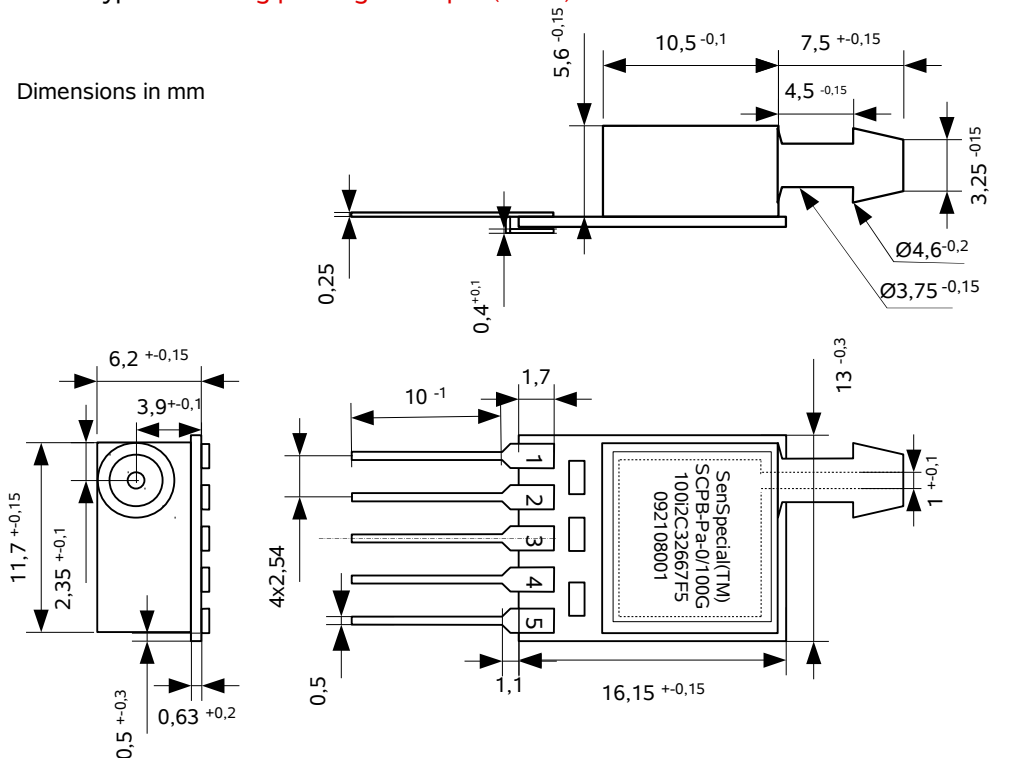
SCPB...SPI-F3.3 - digital Series										
Type-Numbers						Nominal Pressure			Proof Pressure	Burst Pressure
Differential Pressure	Gage Pressure	Absolute Pressure								
Low Pressure Devices						kPa	mb	PSI	kPa	kPa
bidirectional										
SCPB-kPa-0.2/0.2D-SPI-F3.3	SCPB-kPa-0.2/0.2G-SPI-F3.3				±0,2	±2,0	±0,03	5	50	
SCPB-kPa-0.5/0.5D-SPI-F3.3	SCPB-kPa-0.5/0.5G-SPI-F3.3				±0,5	±5,0	±0,08	5	50	
SCPB-kPa-1/1D-SPI-F3.3	SCPB-kPa-1/1G-SPI-F3.3				±1,0	±10	±0,15	60 (600)	600	
SCPB-kPa-2/2D-SPI-F3.3	SCPB-kPa-2/2G-SPI-F3.3				±2,0	±20	±0,30	200 (600)	600	
SCPB-kPa-5/5D-SPI-F3.3	SCPB-kPa-5/5G-SPI-F3.3				±5,0	±50	±0,80	600	600	
SCPB-kPa-10/10D-SPI-F3.3	SCPB-kPa-10/10G-SPI-F3.3				±10	±100	±1,5	600	600	
SCPB-kPa-20/20D-SPI-F3.3	SCPB-kPa-20/20G-SPI-F3.3				±20	±200	±3	600	1000	
SCPB-kPa-50/50D-SPI-F3.3	SCPB-kPa-50/50G-SPI-F3.3				±50	±500	±8	600	1000	
SCPB-kPa-100/100D-SPI-F3.3	SCPB-kPa-100/100G-SPI-F3.3				±100	±1000	±15	600	1000	
unidirectional										
SCPB-kPa0/0.2D-SPI-F3.3	SCPB-kPa0/0.2G-SPI-F3.3				0,2	2,0	0,03	5	50	
SCPB-kPa0/0.5D-SPI-F3.3	SCPB-kPa0/0.5G-SPI-F3.3				0,5	5,0	0,1	5	50	
SCPB-kPa0/1D-SPI-F3.3	SCPB-kPa0/1G-SPI-F3.3				1,0	10,0	0,2	600	600	
SCPB-kPa0/2D-SPI-F3.3	SCPB-kPa0/2G-SPI-F3.3				2,0	20,0	0,3	600	600	
SCPB-kPa0/5D-SPI-F3.3	SCPB-kPa0/5G-SPI-F3.3				5,0	50,0	0,8	600	600	
SCPB-kPa0/10D-SPI-F3.3	SCPB-kPa0/10G-SPI-F3.3				10,0	100,0	1,5	600	600	
SCPB-kPa0/20D-SPI-F3.3	SCPB-kPa0/20G-SPI-F3.3	SCPB-kPa0/20D-SPI-F3.3			20,0	200,0	3,0	600	1000	
SCPB-kPa0/50D-SPI-F3.3	SCPB-kPa0/50G-SPI-F3.3	SCPB-kPa0/50A-SPI-F3.3			50,0	500,0	8,0	600	1000	
SCPB-kPa0/100D-SPI-F3.3	SCPB-kPa0/100G-SPI-F3.3				100,0	1000,0	15,0	600	1000	
		SCPB-kPa0/110A-SPI-F3.3			110,0	1100,0	16,0	600	1000	
		SCPB-kPa70/110A-SPI-F3.3			70..110	700..1100	10..16	700	1600	
Type-Numbers						Nominal Pressure			Proof Pressure	Burst Pressure
Differential Pressure	Gage Pressure	Absolute Pressure								
High Pressure Devices						MPa	bar	PSI	MPa	MPa
unidirectional										
SCPB-MPa0/0.2D-SPI-F3.3	SCPB-MPa0/0.2G-SPI-F3.3	SCPB-MPa0/0.2A-SPI-F3.3				0,2	2,0	30,0	3,5	3,5
SCPB-MPa0/0.5D-SPI-F3.3	SCPB-MPa0/0.5G-SPI-F3.3	SCPB-MPa0/0.5A-SPI-F3.3				0,5	5,0	80,0	3,5	3,5
SCPB-MPa0/10D-SPI-F3.3	SCPB-MPa0/10G-SPI-F3.3	SCPB-MPa0/10A-SPI-F3.3				1,0	10,0	150,0	3,5	3,5
SCPB-MPa0/16D-SPI-F3.3	SCPB-MPa0/16G-SPI-F3.3	SCPB-MPa0/16A-SPI-F3.3				1,6	16,0	240,0	3,5	3,5
SCPB-MPa0/20D-SPI-F3.3	SCPB-MPa0/20G-SPI-F3.3	SCPB-MPa0/20A-SPI-F3.3				2,0	20,0	300,0	3,5	3,5
SCPB-MPa0/25D-SPI-F3.3	SCPB-MPa0/25G-SPI-F3.3	SCPB-MPa0/25A-SPI-F3.3				2,5	25,0	375,0	3,5	3,5

**Outline Drawings and Connection Diagrams**

**SCPB\_G** (gage / relativ) and **SCPB\_A** (absolute),  
5-Pin-Type for **analog plus digital output (2 in 1)**.

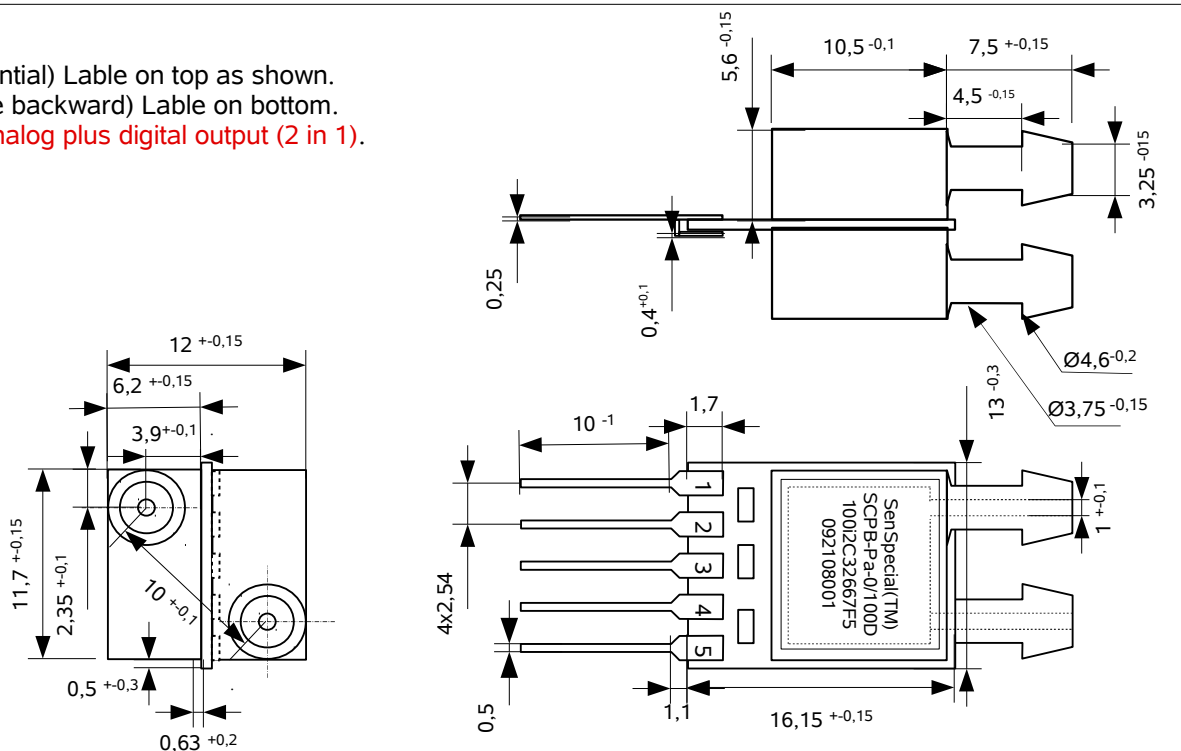
Dimensions in mm

Pin No.	Function
1	I <sup>2</sup> C bus SCL
2	V+ Supply
3	GND
4	Vout (Analog Output)
5	I <sup>2</sup> C bus SDA



**SCPB\_D** (differential) Lable on top as shown.  
**SCPB\_GB** (gage backward) Lable on bottom.  
5-Pin-Type for **analog plus digital output (2 in 1)**.

Dimensions in mm





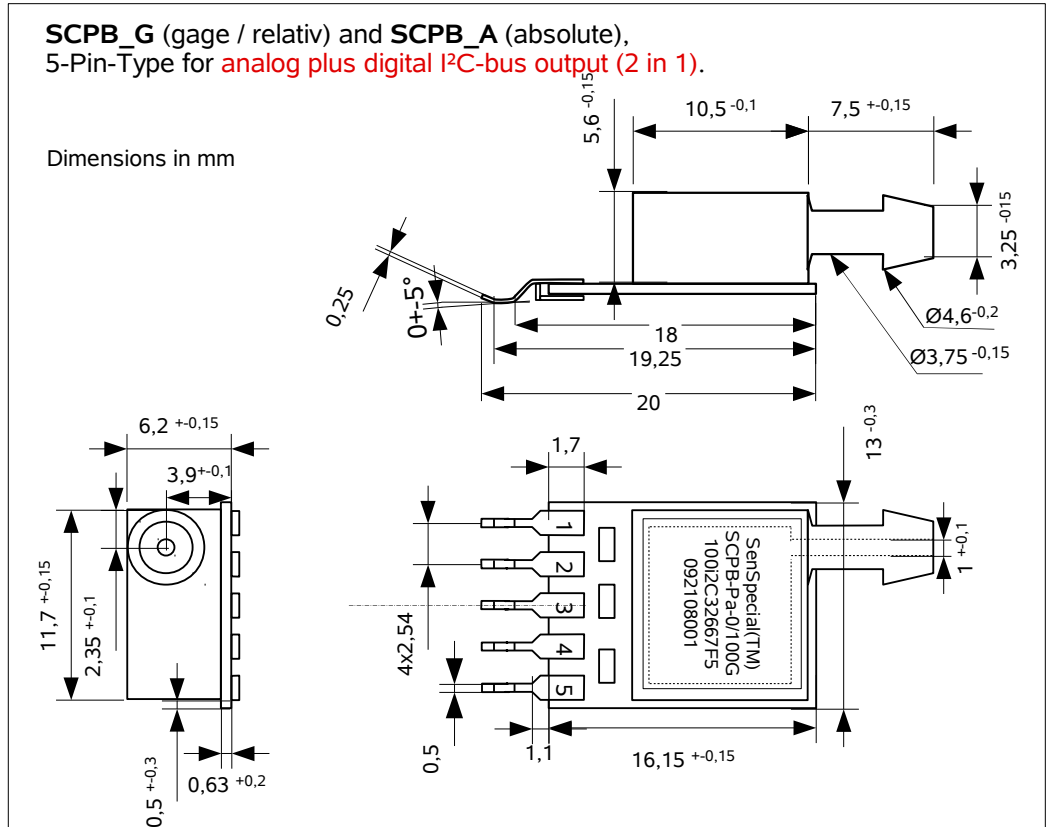


**Outline Drawings and Connection Diagrams**

**SCPB\_G** (gage / relativ) and **SCPB\_A** (absolute),  
5-Pin-Type for **analog plus digital I<sup>2</sup>C-bus output (2 in 1)**.

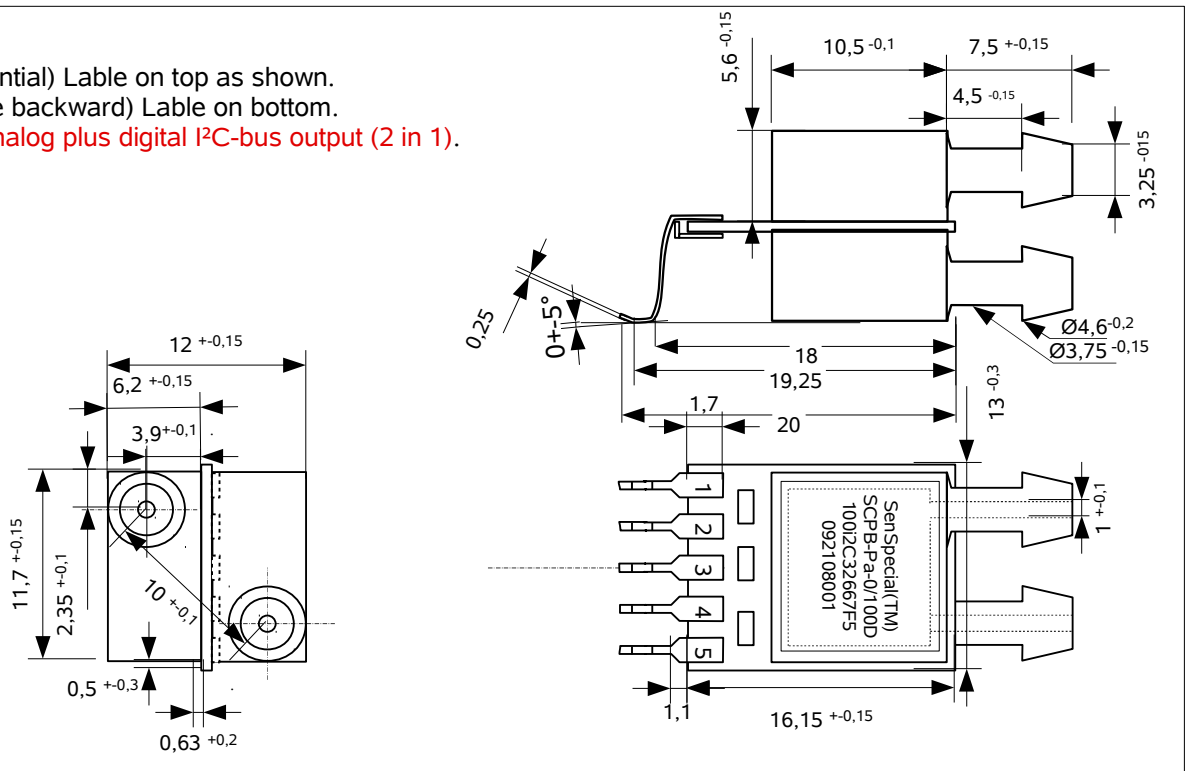
Dimensions in mm

Pin No.	Function
1	I <sup>2</sup> C bus SCL
2	V+ Supply
3	GND
4	Vout (Analog Output)
5	I <sup>2</sup> C bus SDA



**SCPB\_D** (differential) Lable on top as shown.  
**SCPB\_GB** (gage backward) Lable on bottom.  
5-Pin-Type for **analog plus digital I<sup>2</sup>C-bus output (2 in 1)**.

Dimensions in mm

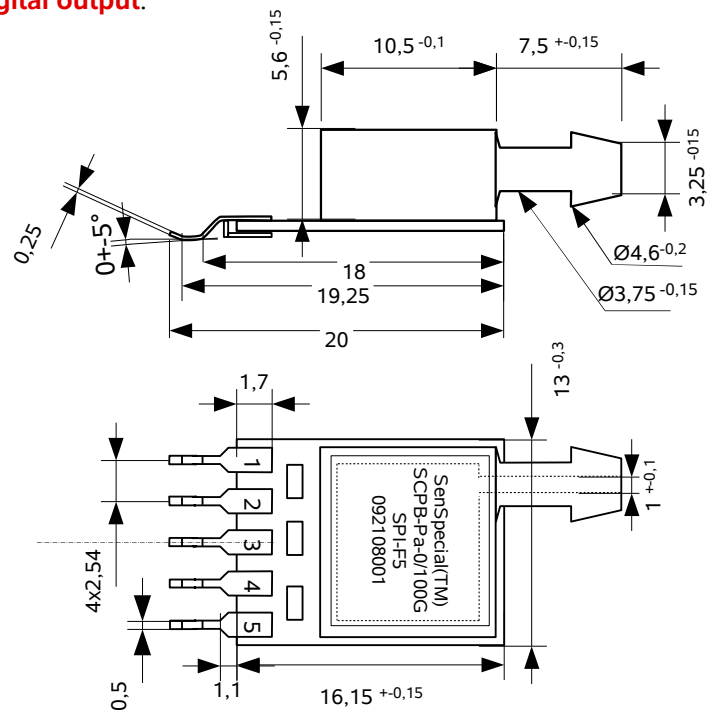
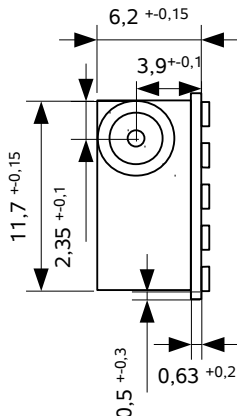


**Outline Drawings and Connection Diagrams**

**SCPB\_G** (gage / relativ) and **SCPB\_A** (absolute),  
5-Pin-Type for **only digital output**.

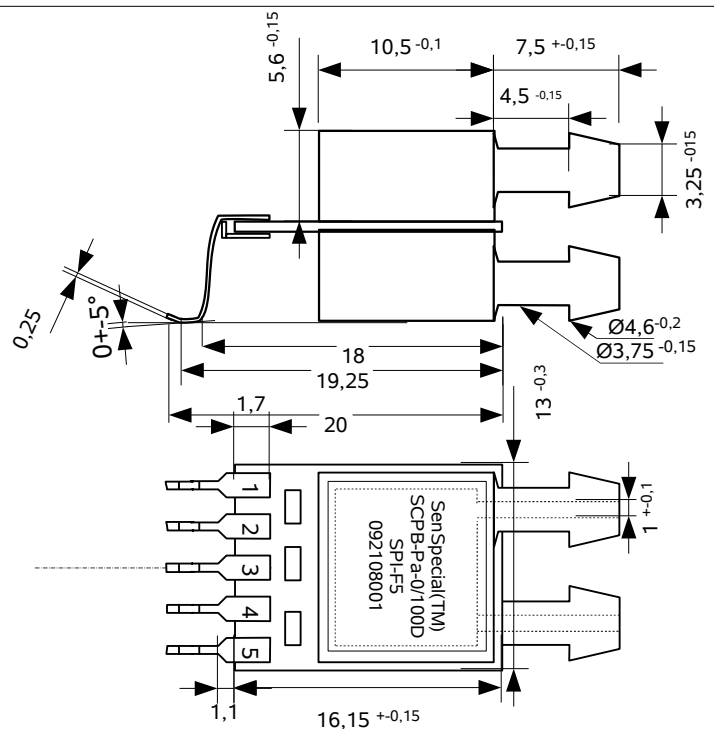
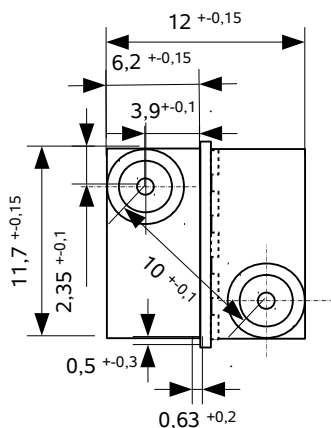
Dimensions in mm

Pin No.	Function <b>SPI-Interface</b>
1	Clock „SCK“
2	V+ Supply
3	GND
4	Data Output „MISO“
5	Data In „MOSI“



**SCPB\_D** (differential) Lable on top as shown.  
**SCPB\_GB** (gage backward) Lable on bottom.  
5-Pin-Type for only digital SPI- output.

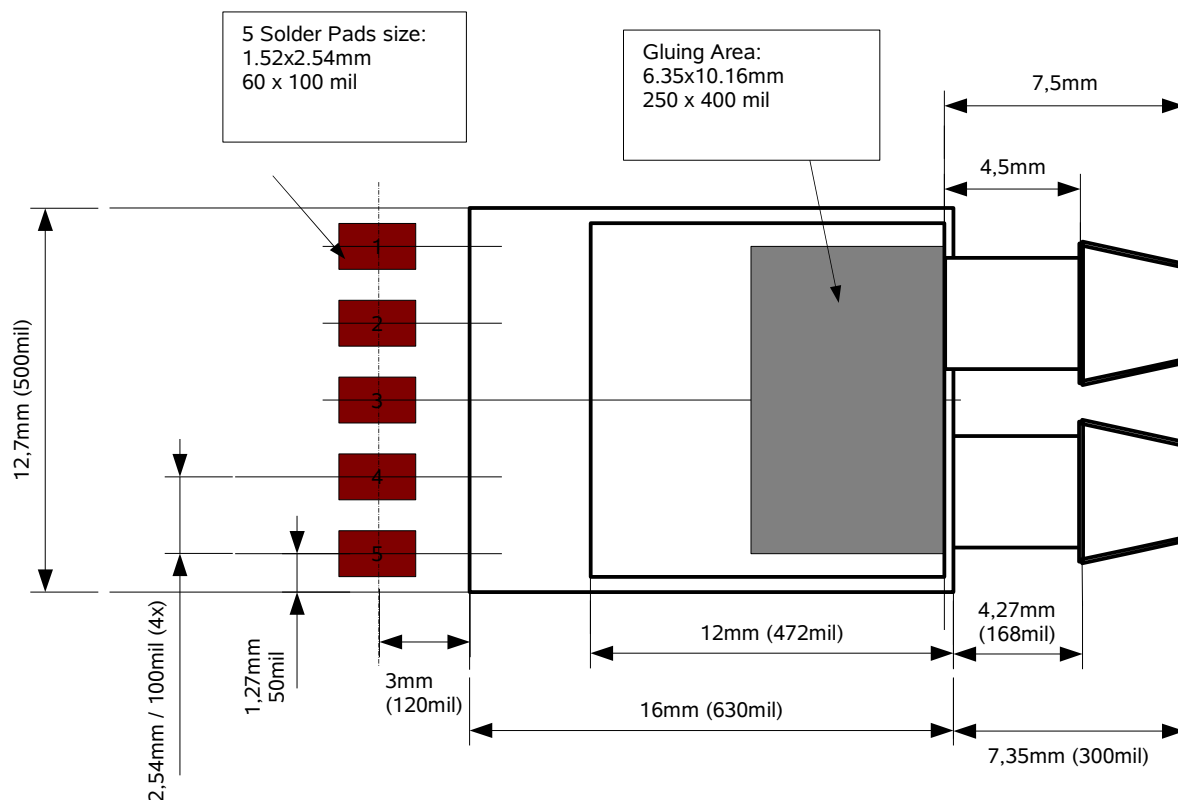
Dimensions in mm



## SCPB-SMD-Series

OEM Pressure Sensor  
Amplified analog Output  
15bit digital serial Output  
I<sup>2</sup>C-bus (TWI) Interface

### Outline Drawing SMD-Footprint



Pin No.	Function I <sup>2</sup> C bus (TWI)
1	I <sup>2</sup> C bus SCL
2	V+ Supply
3	GND
4	Vout (Analog Output)
5	I <sup>2</sup> C bus SDA

Pin No.	Function I <sup>2</sup> C bus (TWI)
1	I <sup>2</sup> C bus SCL
2	V+ Supply
3	GND
4	Alarm Output Switch on/off
5	I <sup>2</sup> C bus SDA

Pin No.	Function SPI-Interface
1	Clock „SCK“
2	V+ Supply
3	GND
4	Data Output „MISO“
5	Data In „MOSI“