

---

### WiFi Puck Antenna

---

- High Efficiency
- WiFi, Bluetooth, Zigbee
- Outdoor use
- Magnetic mount
- RoHS Compliant



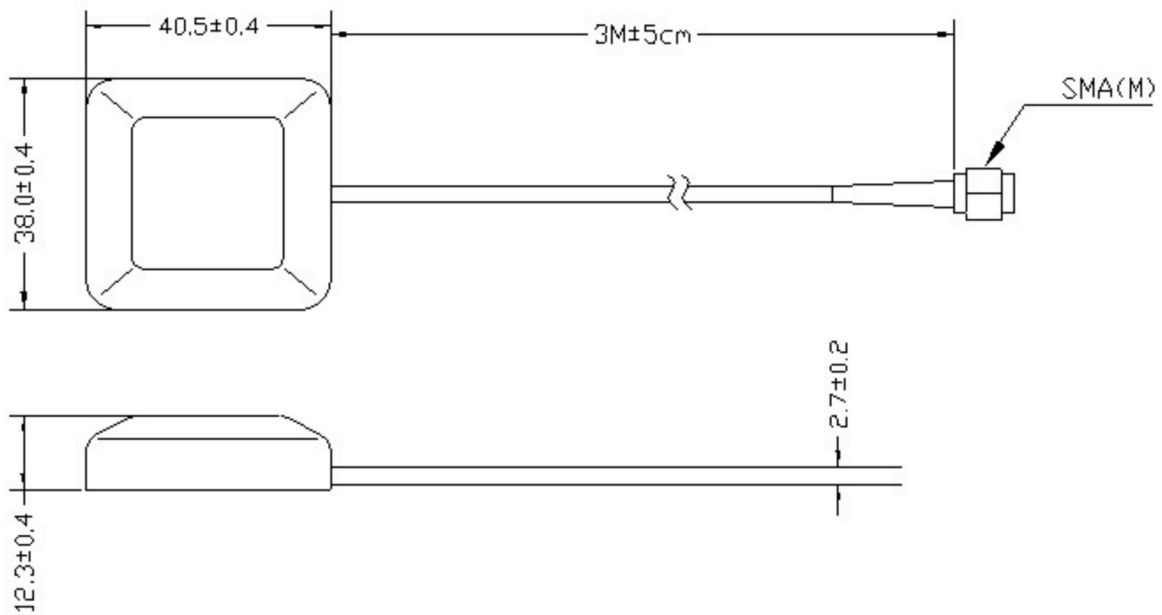
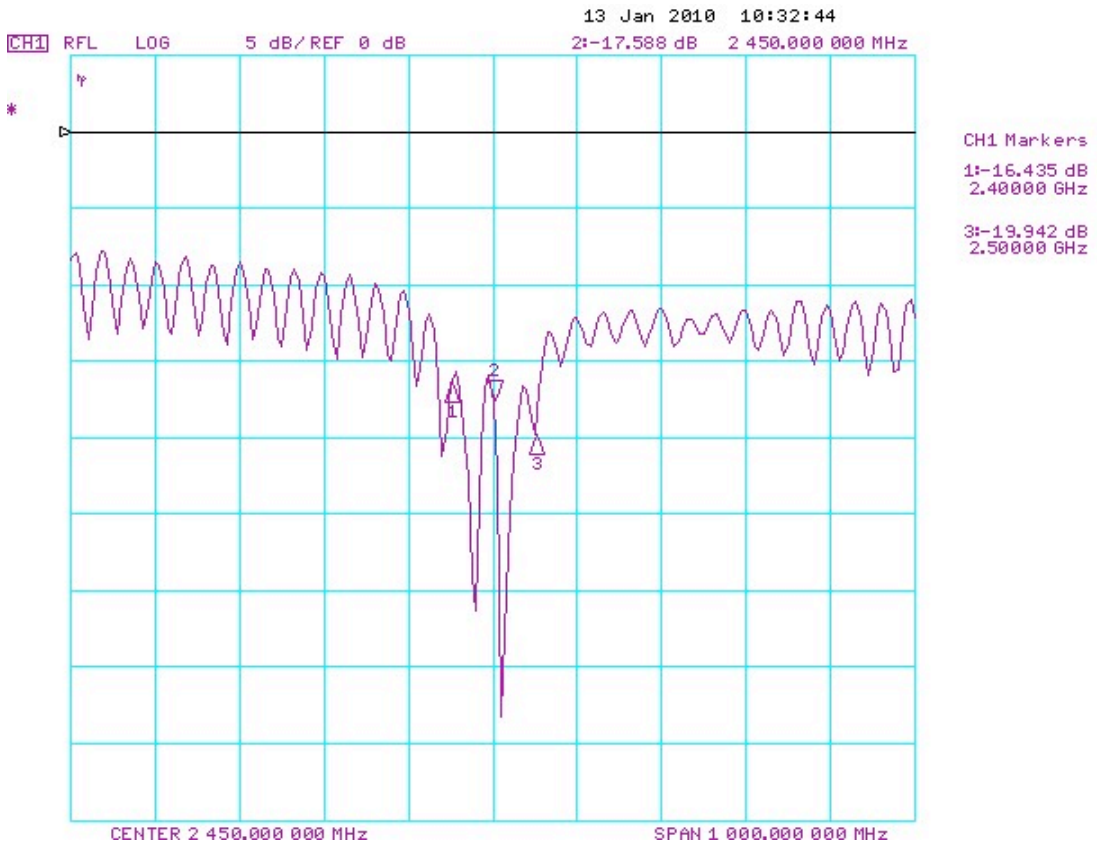
ADA-A2450-S is designed for ISM Band Data Communication applications, where outside mounting is preferred. The antenna has a small foot print and can withstand high winds and wet environment.

**RoHS**

Optimal position for automobile applications is on the roof top of the vehicles. If the ISM antenna unit is to be placed inside the car, be certain to avoid coverage by metal objects or behind heated windshield, for optimal performance.

## Specification

Antenna	Specification
Center Frequency	2450MHz $\pm$ 50MHz
Bandwidth	100MHz min
Gain @ Zenith	-5.0 dBi typ (@ 3m RG174 Coax Cable)
VSWR	2.0 max @center frequency
Impedance	50 $\Omega$
RF Cable	RG174 , $\varnothing$ 2.7 $\pm$ 0.1mm , 3m
RF Connector	SMA (M)
	Environmental Cond.
Operating Temperature	-40°C to + 80°C
Storage Temperature	-40°C to + 100°C
Relative Humidity	40% to 95%
	Mechanical Spec.
Size	40.5x38.0x12.3mm
Weight	70g Max.
Mounting	Magnet mount or Adhesive
Horizontal Pulling Force	1.5 Kg
Water proof	Under Water 50cm, 30min max
Shock	10 msec. Half Sine Wave
Vibration	10~200Hz Log. Sweep 3.0G sweep time: 15 Minutes, 3 Axes, Duration 2 Hours
Magnetic Threshold	The antenna must stay attached at speeds of 180km/h.
Cable Pulling Off Force	Min 7kg/10sec, no visible damage.
Bending Test	Min 90 Degree left and right 1000 cycles, no damage.



## Ordering codes

TYPE	Description	Comment
ADA-A2450-S	Iridium Puck Antenna	Magnetic Mount Puck Antenna

For the latest updates, visit our Web site: [www.adactus.se](http://www.adactus.se)

### **Disclaimer**

Information furnished is believed to be accurate and reliable. However, Adactus assumes no responsibility for the consequences of use of such information nor for any infringement of patents or other rights of third parties which may result from its use. Adactus reserves the right to make changes without further notice to any product herein to improve reliability, function or design. Adactus does not assume any liability arising out of the application or use of any product described herein.

This publication supersedes and replaces all information previously supplied. Adactus products are not authorised as critical components in life support devices or systems.